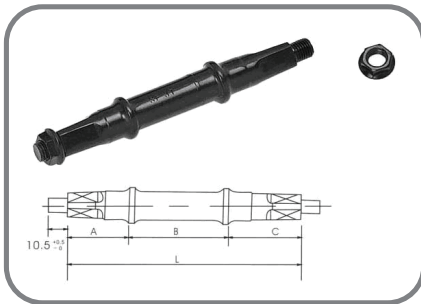


**PS-BB01**

Axle No	Bracket Width	Left A	Center B	Right C	Length L	Axle No	Bracket Width	Left A	Center B	Right C	Length L
3L	68	32	52	32	116	5S	70	35	54	37.5	126.5
3A	68	32	52	33.5	117.5	5T	70	35	54	39	128
3P	68	32	52	35	119	5U	70	35	54	40.5	129.5
3PL	68	34	52	35	121	5R	70	35	54	42	131
3S	68	35	52	37.5	124.5	6T	72	35	56	39	130
3T	68	35	52	39	126	6P	72	32	56	35	123
3U	68	35	52	40.5	127.5	7P	73	30.5	57	33.5	121
3R	68	35	52	42	129	7T	73	35	57	39	131
5P	70	32	54	35	121	7U	73	35	57	40.5	132.5



**PS-BB02**

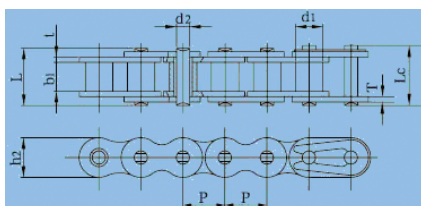
Axle No	Bracket Width	Left A	Center B	Right C	Length L	Axle No	Bracket Width	Left A	Center B	Right C	Length L
3L	68	32	52	32	116	5S	70	35	54	37.5	126.5
3A	68	32	52	33.5	117.5	5T	70	35	54	39	128
3P	68	32	52	35	119	5U	70	35	54	40.5	129.5
3PL	68	34	52	35	121	5R	70	35	54	42	131
3S	68	35	52	37.5	124.5	6T	72	35	56	39	130
3T	68	35	52	39	126	6P	72	32	56	35	123
3U	68	35	52	40.5	127.5	7P	73	30.5	57	33.5	121
3R	68	35	52	42	129	7T	73	35	57	39	131
5P	70	32	54	35	121	7U	73	35	57	40.5	132.5



**PS-BB03**

Axle No	Left A	Center B	Right C	Length L	Axle No	Left A	Center B	Right C	Length L
8811	43	52	48	143	8823	48	52	48	148
8813	43	52	46	141	8824	46	54	50	150
8814	45	52	52	149	8826	43	54	48	145
8821	45	52	51	148	8828	45	54	53	152
8822	50	52	50	152	8832	50	52	52	154

## MOTO CHAIN



ISO Chain NO	Pitch	roller caliber	Width		axis caliber	Plate Thickness max	Inner Plate Depth max	axis length	Inner Plate Depth max	heaviness
			Between Inner Plates min	max						
			d1 max	b1 min						
mm	mm	mm	mm	mm	mm	mm	mm	mm	mm	mm
415H	12.70	7.75	4.88	4.00	1.50	12.00	12.43	13.78	16.00	0.51
420	12.70	7.77	6.25	3.96	1.50	12.07	14.70	16.10	17.00	0.56
428	12.70	8.51	7.75	4.45	1.60	11.81	17.00	18.50	18.20	0.75
428H	12.70	8.51	7.75	4.45	2.03	11.81	18.70	20.20	23.00	0.80
520	15.875	10.16	6.25	5.09	2.03	15.09	18.00	19.50	28.00	0.90
520H	15.875	10.16	6.25	5.09	2.42	15.09	19.50	21.00	28.00	1.12
530	15.875	10.16	9.40	5.09	2.03	15.09	21.80	22.90	28.00	1.05