



SCT-Number  
**SP 101**

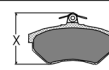
W.V.A.  
**21170**



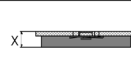
X



104,2



61,3



17,3

Main Application

**Lada:** Samara, Forma (2108, 2109, 21099)

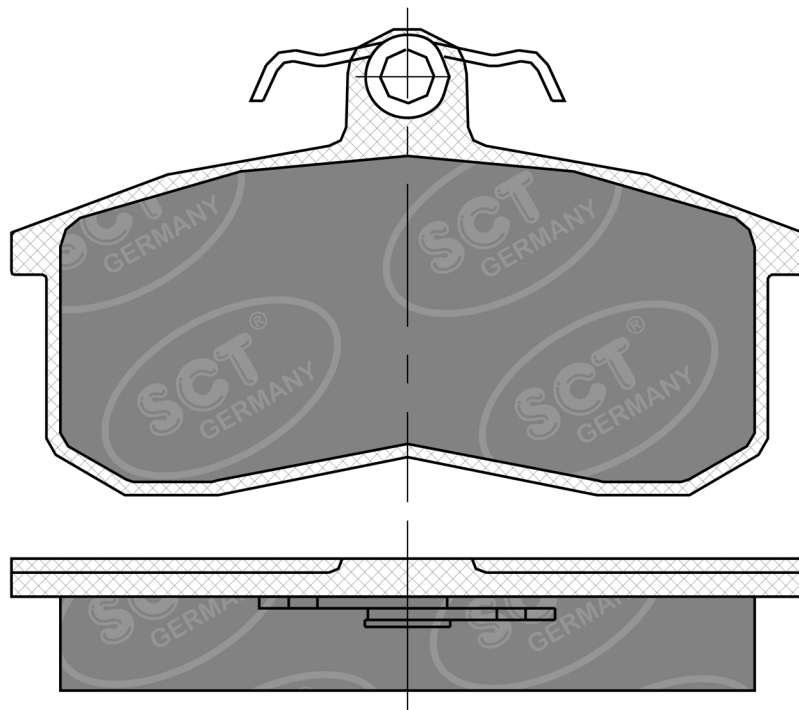
**ZAZ:** ZAZ 1102 (Tavria, Slavuta)

Cross Reference

**FERODO** FDB 527

**AP Lockheed** LP 551

**LUCAS** GDB 469



SCT-Number  
**SP 102**

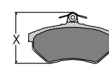
W.V.A.  
**21166**



X



83,8



60



16

Main Application

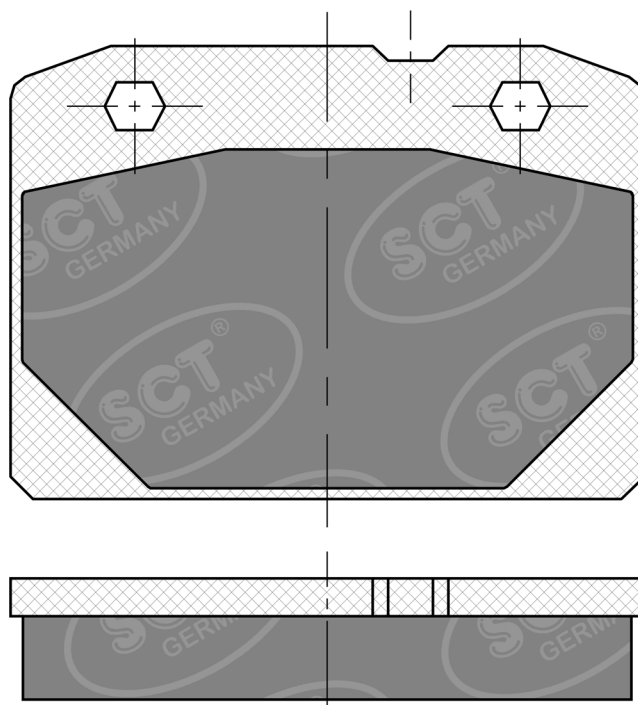
**Lada:** Nova (2105, 2107), Zhiguli (01, 011, 013, 02, 03, 06)

Cross Reference

**FERODO** FDB 96

**AP Lockheed** LP 92

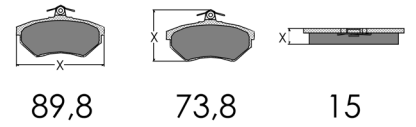
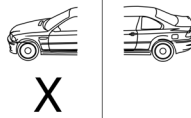
**LUCAS** GDB 140





SCT-Number  
**SP 103**

W.V.A.  
**20392**

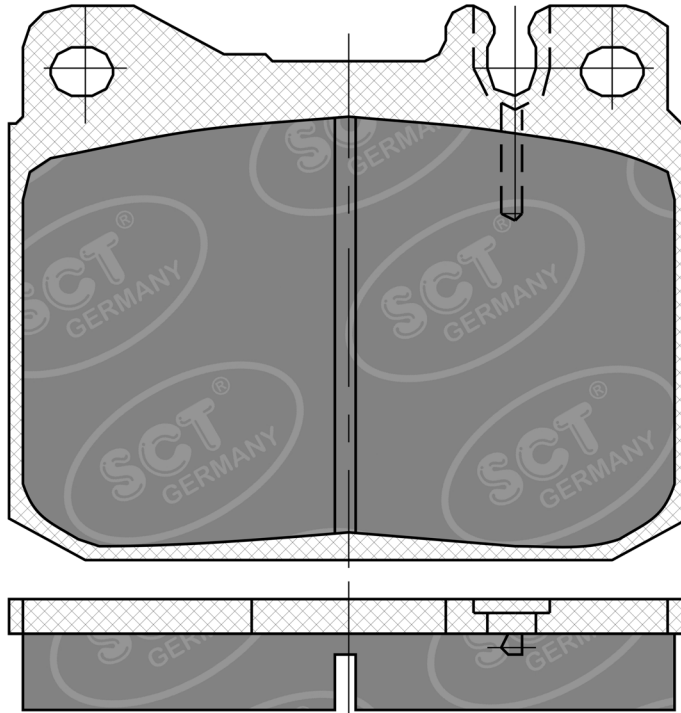


Main Application

**Mercedes:** 200-, 220-, 230-, 240-, 250-, 280-, 300-, 350-, 380-, 420-, 450-, 500- Series

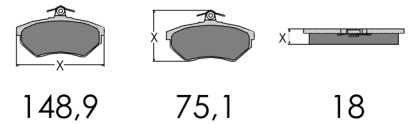
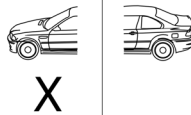
Cross Reference

**FERODO** FDB 143  
**AP Lockheed** LP 427  
**LUCAS** GDB 242



SCT-Number  
**SP 104**

W.V.A.  
**20784**

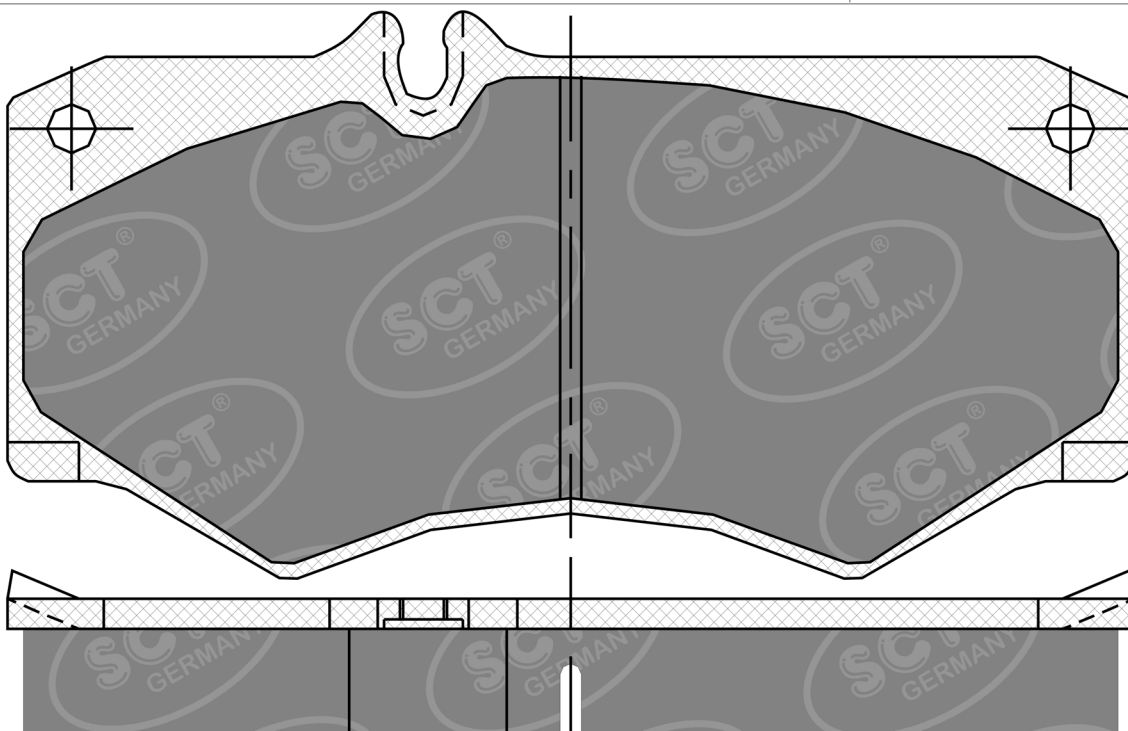


Main Application

**Mercedes:** 2t-Serie, 3t-Serie, G-Class

Cross Reference

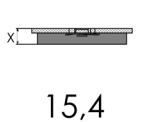
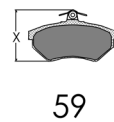
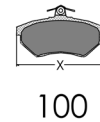
**FERODO** FDB 239  
**AP Lockheed** LP 180  
**LUCAS** GDB 317





SCT-Number  
**SP 105**

W.V.A.  
**20939**



Main Application

**Opel:** Ascona-B, Ascona-C, Corsa-A, Kadett-D, Kadett-E, Manta-B, Omega-A, Record-E, Vectra-A

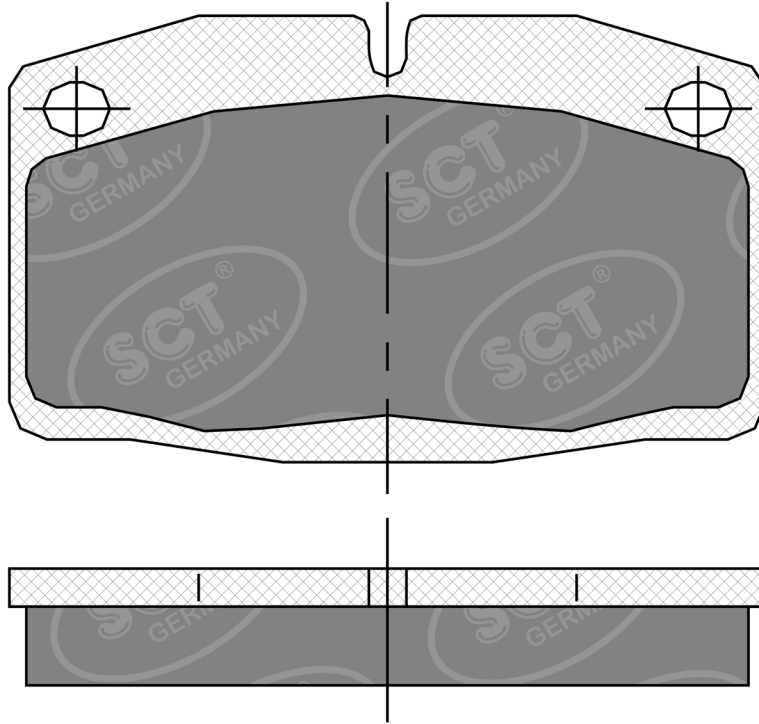
**Vauxhall:** Astra-D, Astra-E, Belmont, Carlton, Cavalier, Nova

Cross Reference

**FERODO** FDB 173

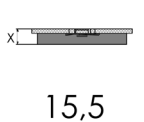
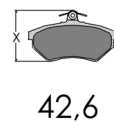
**AP Lockheed** LP 415

**LUCAS** GDB 199



SCT-Number  
**SP 106**

W.V.A.  
**20076**



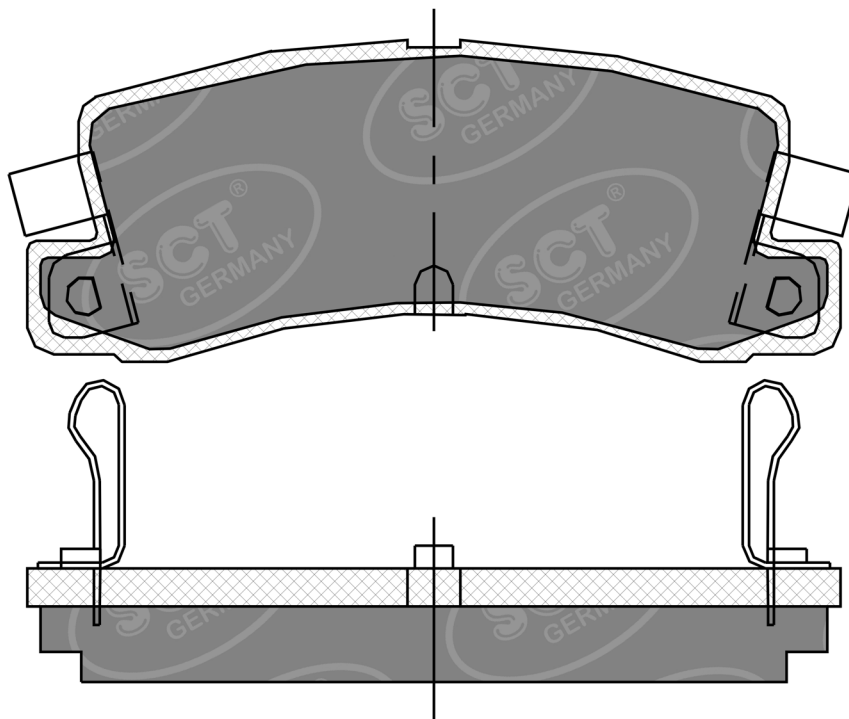
Main Application

**Toyota:** Corolla VI, Corolla VII, Corolla VIII

Cross Reference

**FERODO** FDB 848

**AP Lockheed** LP 611



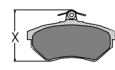


SCT-Number  
**SP 107**

W.V.A.  
**20905**



105



54,5



17,6

Main Application

**Peugeot:** 106, 205, 305, 309, 405

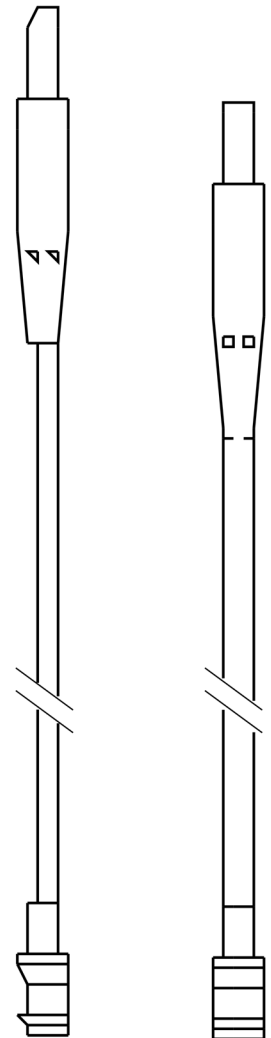
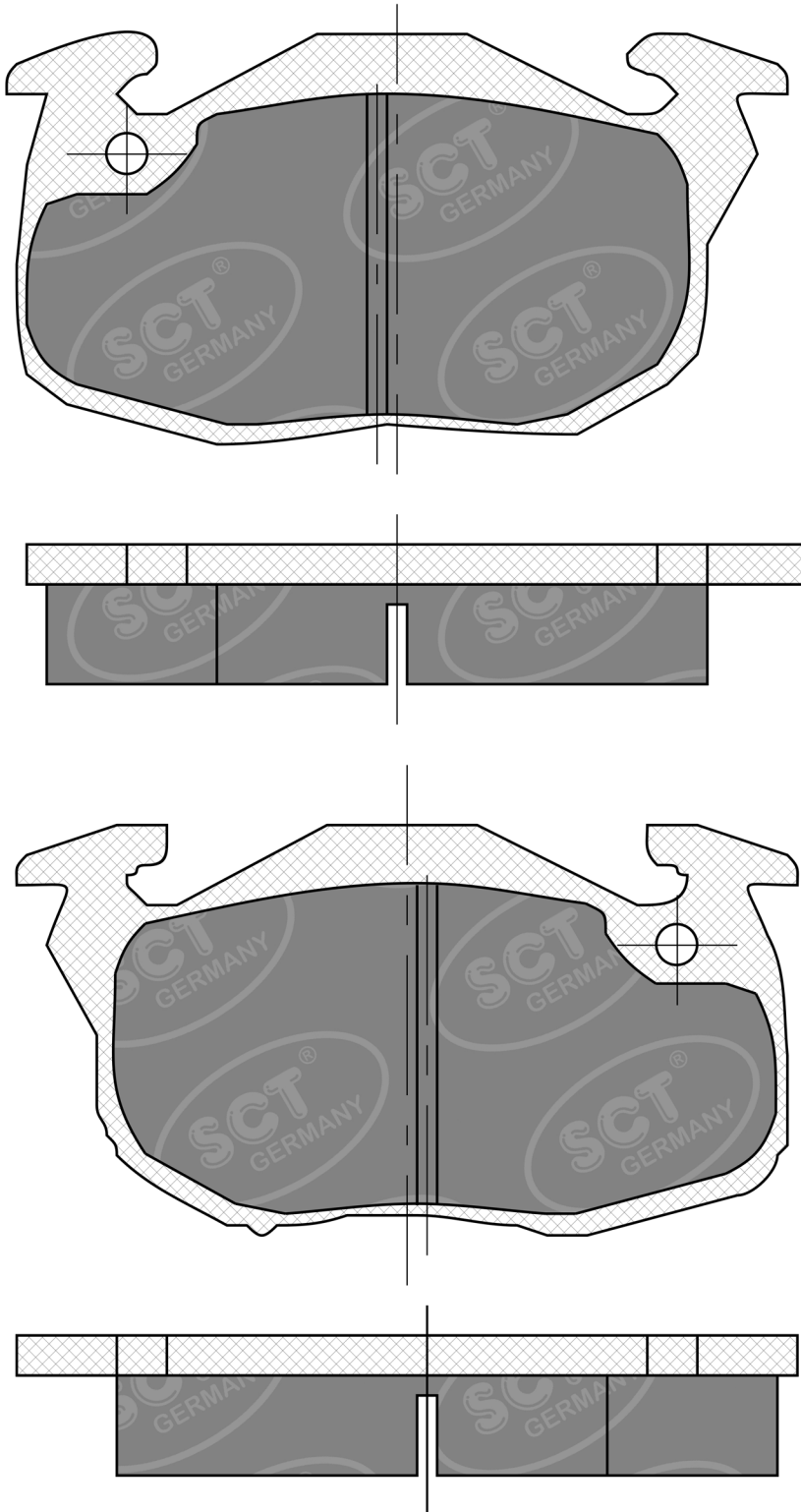
**Renault:** Clio I, Espace I, Express/Extra, Fuego, R5 II, R9, R11, R18, R19, R21, R30, Rapid

Cross Reference

**FERODO** FDB 393

**AP Lockheed** LP 490

**LUCAS** GDB 327

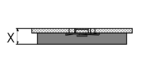
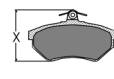
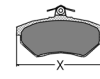






SCT-Number  
**SP 108**

W.V.A.  
**20753**



151,5

46,3

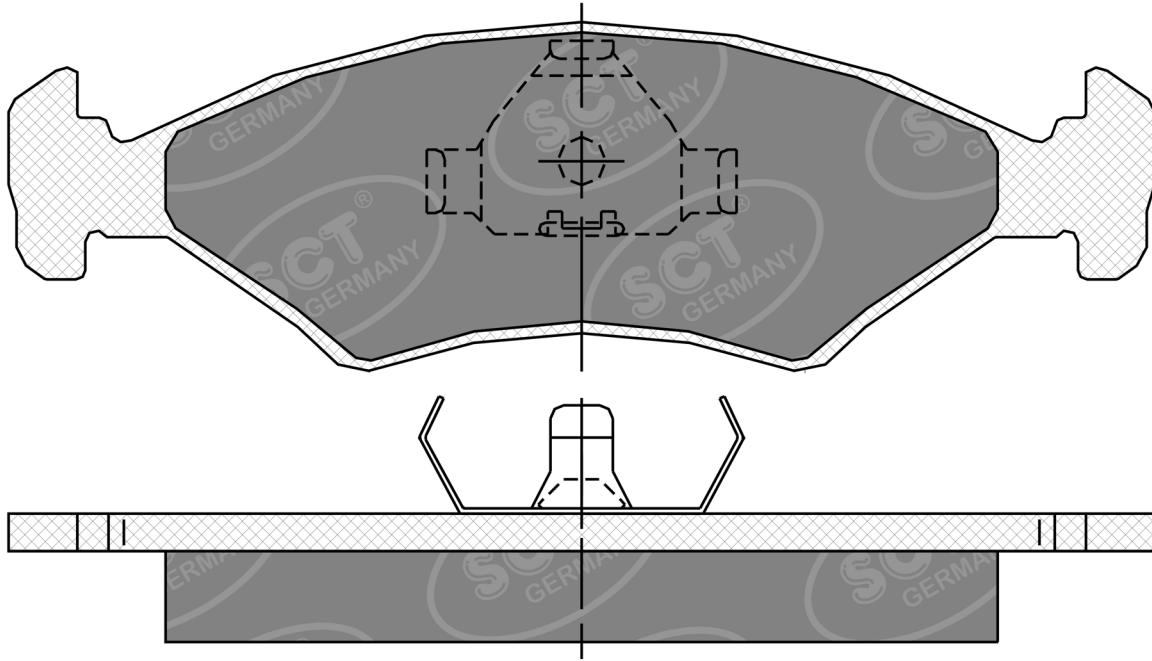
17

Main Application

**Ford(Europa):** Escort, Fiesta Courier I, Fiesta II, Fiesta III, Fiesta IV, Orion, P-Serie (Pickup), Sierra (Sapphire)

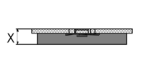
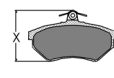
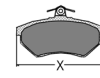
Cross Reference

**FERODO** FDB 206  
**AP Lockheed** LP 204  
**LUCAS** GDB 255



SCT-Number  
**SP 109**

W.V.A.  
**20958**



108,6

40,3

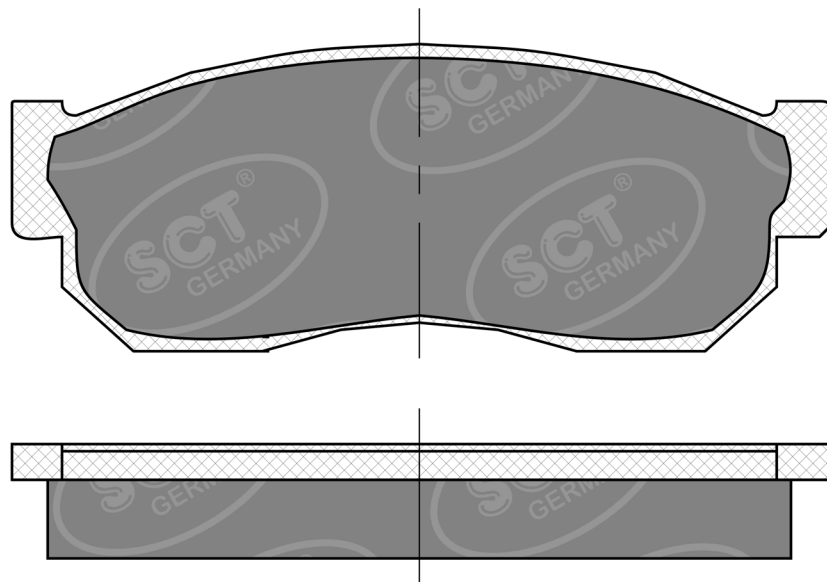
14,7

Main Application

**Nissan:** Cherry, Patrol, Sunny  
**Subaru:** Justy, Libero

Cross Reference

**FERODO** FDB 293  
**AP Lockheed** LP 261  
**LUCAS** GDB 988



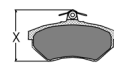


SCT-Number  
**SP 110**

W.V.A.  
**20669**



118,8



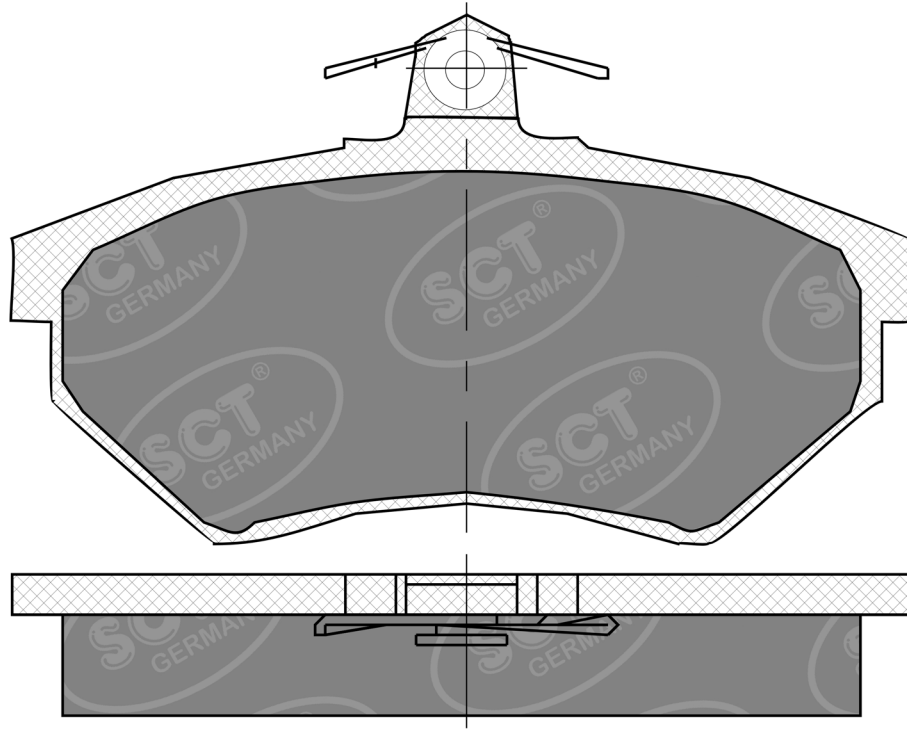
69,5



19,2

Main Application  
**Audi:** 80, 80 Quattro, 90, 100

Cross Reference  
**FERODO** FDB 211  
**AP Lockheed** LP 429  
**LUCAS** GDB 826

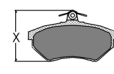


SCT-Number  
**SP 111**

W.V.A.  
**20901**



118,8



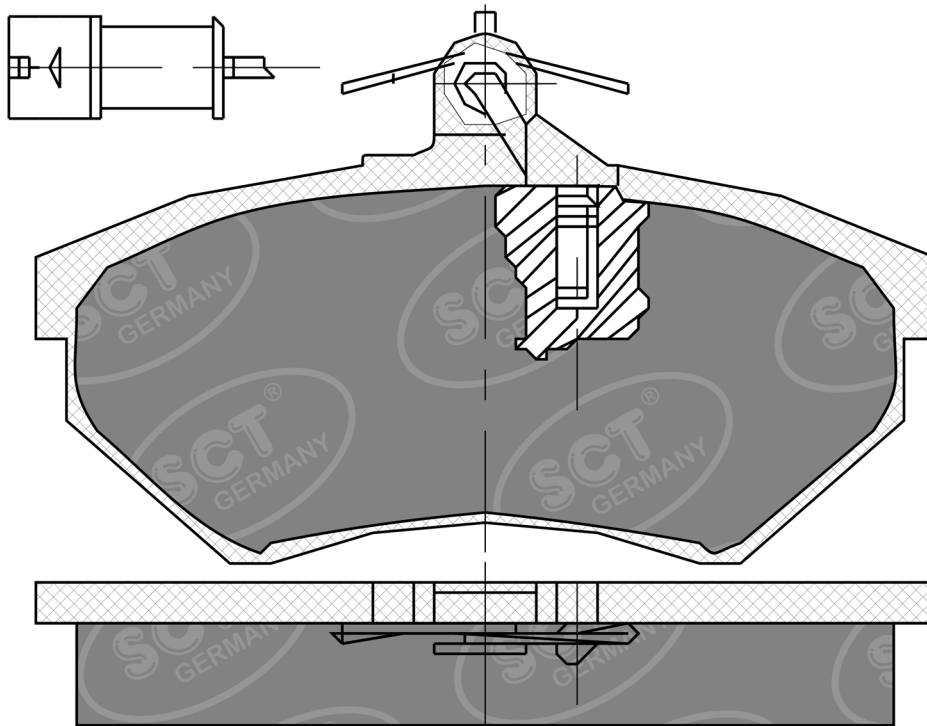
69,5



19,2

Main Application  
**Audi:** 80, 80 Quattro, 90, 100, 200, 200 Quattro, Coupe, Coupe Quattro

Cross Reference  
**FERODO** FDB 954  
**AP Lockheed** LP 444  
**LUCAS** GDB 404





SCT-Number  
**SP 112**

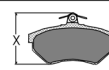
W.V.A.  
**20718**



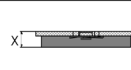
X



111,2



43,9



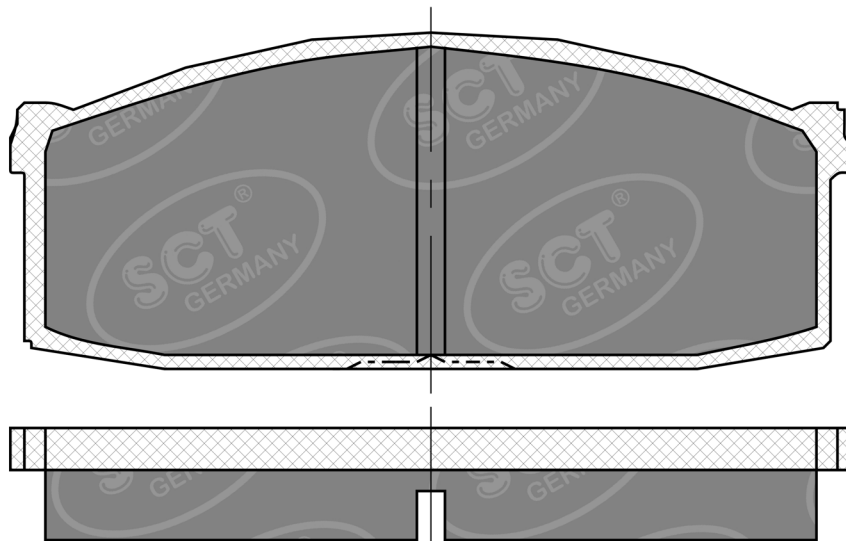
14,2

Main Application

**Nissan:** Bluebird, Cherry, Laurel, Prairie, Stanza, Sunny, Vanette/Vanette Cargo

Cross Reference

**FERODO** FDB 225  
**AP Lockheed** LP 219  
**LUCAS** GDB 197



SCT-Number  
**SP 113**

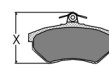
W.V.A.  
**20961**



X



87,1



52,8



14,9

Main Application

**Audi:** A3, A4, A6, A6 Quattro/Allroad

**Ford(Europa):** Galaxy

**Peugeot:** 405

**Renault:** Espace III

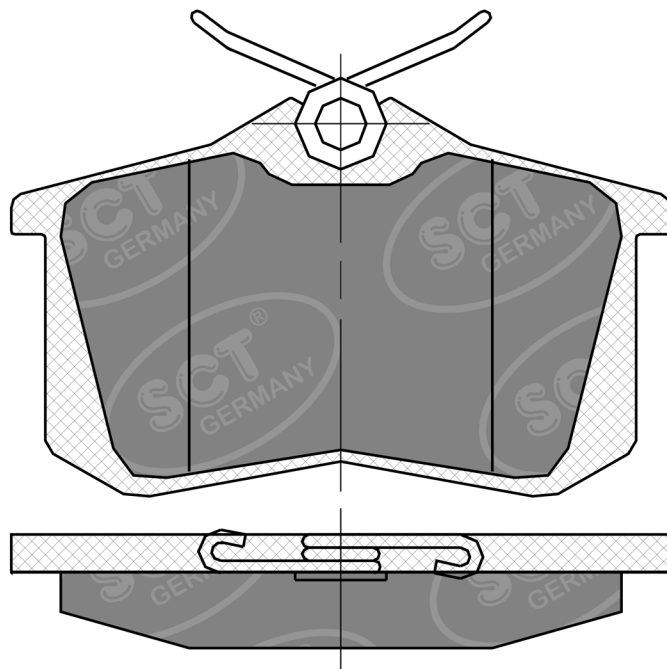
**Seat:** Cordoba I, Ibiza II, Leon, Toledo I, Toledo II

**Skoda:** Fabia, Octavia

**Volkswagen:** Bora, Corrado, Golf, New Beetle, Passat, Sharan, Vento

Cross Reference

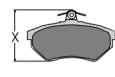
**FERODO** FDB 541  
**AP Lockheed** LP 565  
**LUCAS** GDB 1121





SCT-Number  
**SP 114**

W.V.A.  
**20887**



137,9

50/47,6

15,1

Main Application

**Seat:** Ibiza II

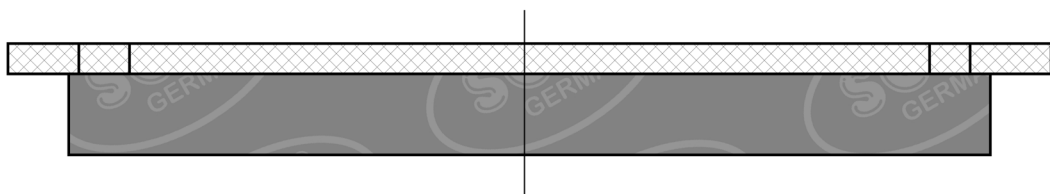
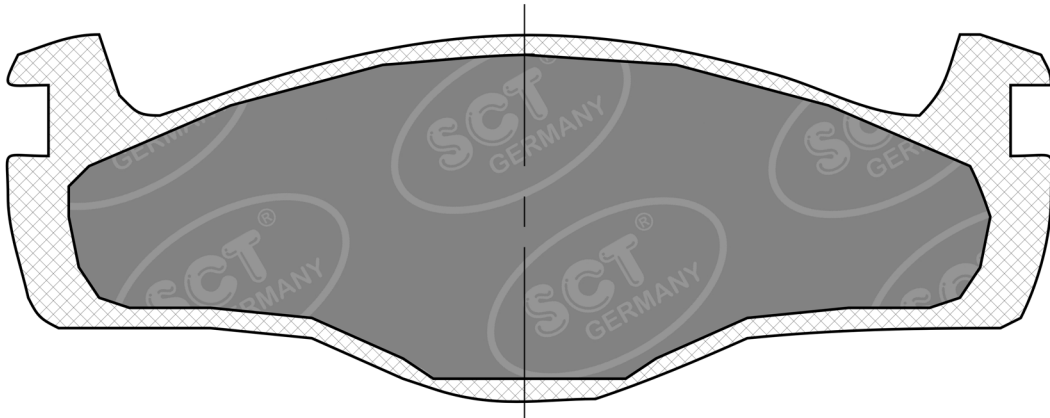
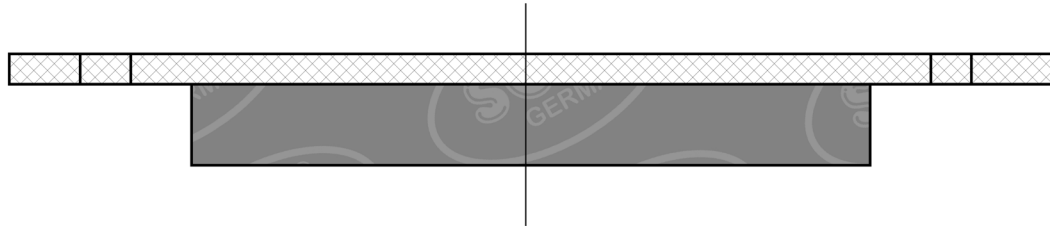
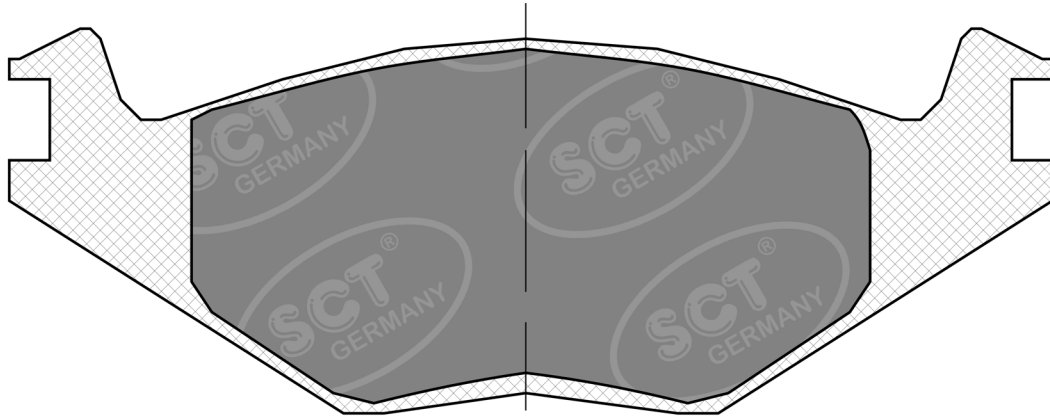
**Volkswagen:** Golf II, Passat (32B), Polo II (86C/CF)

Cross Reference

**FERODO** FDB 392

**AP Lockheed** LP 420

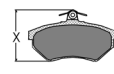
**LUCAS** GDB 459





SCT-Number  
**SP 115**

W.V.A.  
**20887**



137,9

50/47,6

19,4

Main Application

**Seat:** Cordoba I, Ibiza II, Inca, Toledo I

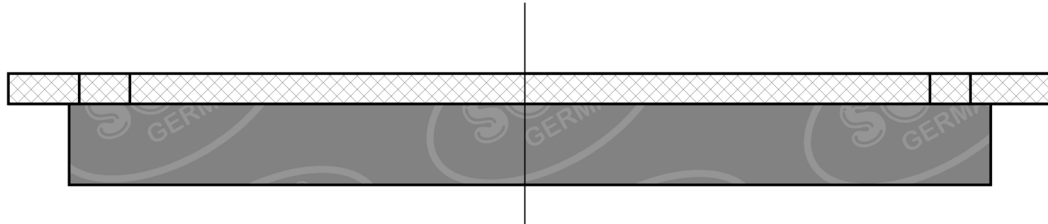
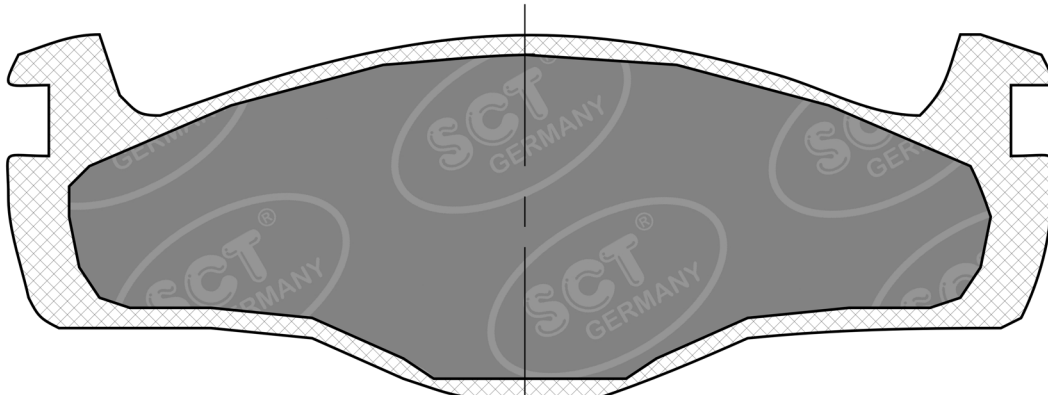
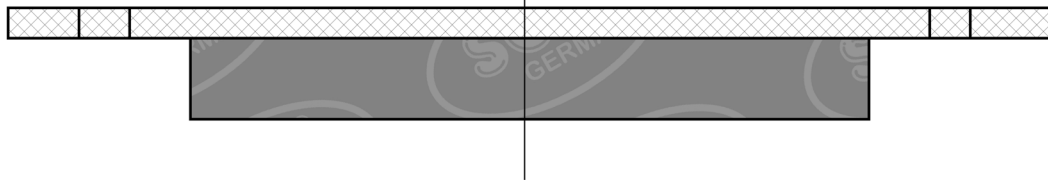
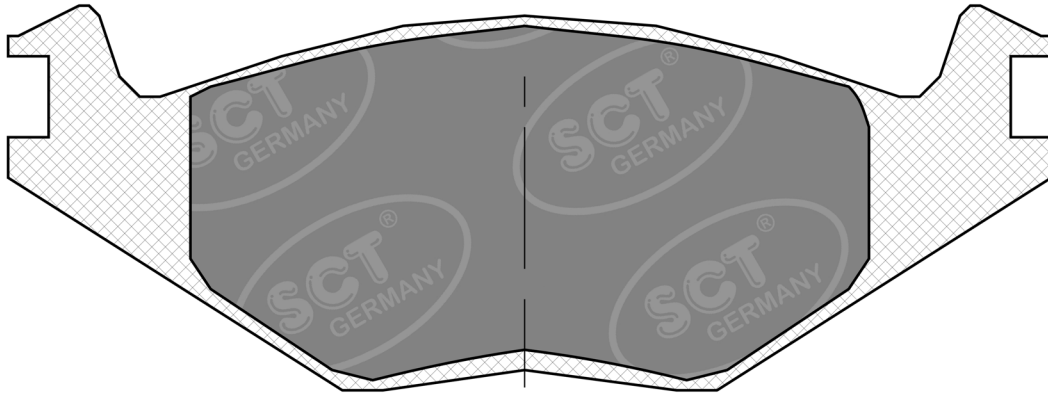
**Volkswagen:** Caddy, Golf I-III, Jetta, Passat (32B), Polo II, Santana, Scirocco, Vento

Cross Reference

**FERODO** FDB 419

**AP Lockheed** LP 421

**LUCAS** GDB 454





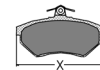


SCT-Number  
**SP 116**

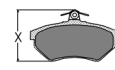
W.V.A.  
**20889**



X



137,9



51,4



17,3

Main Application

**Seat:** Cordoba I, Ibiza II

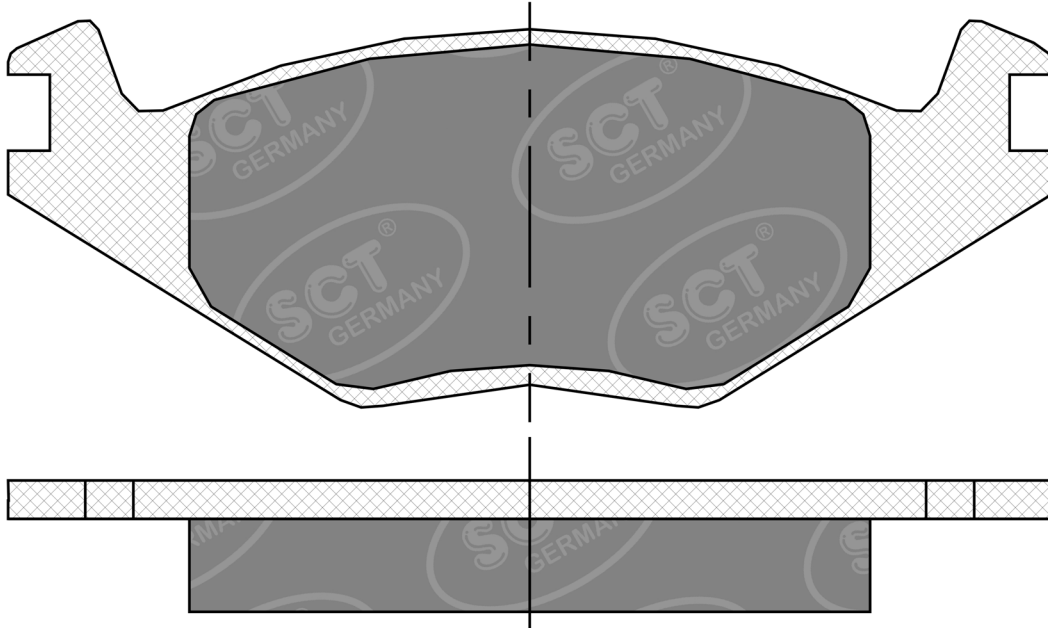
**Volkswagen:** Derby, Golf I, Golf II, Jetta, Polo II

Cross Reference

**FERODO** FDB 385

**AP Lockheed** LP 505

**LUCAS** GDB 463

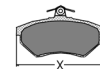


SCT-Number  
**SP 117**

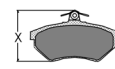
W.V.A.  
**20955**



X



127,3



52,5



15,5

Main Application

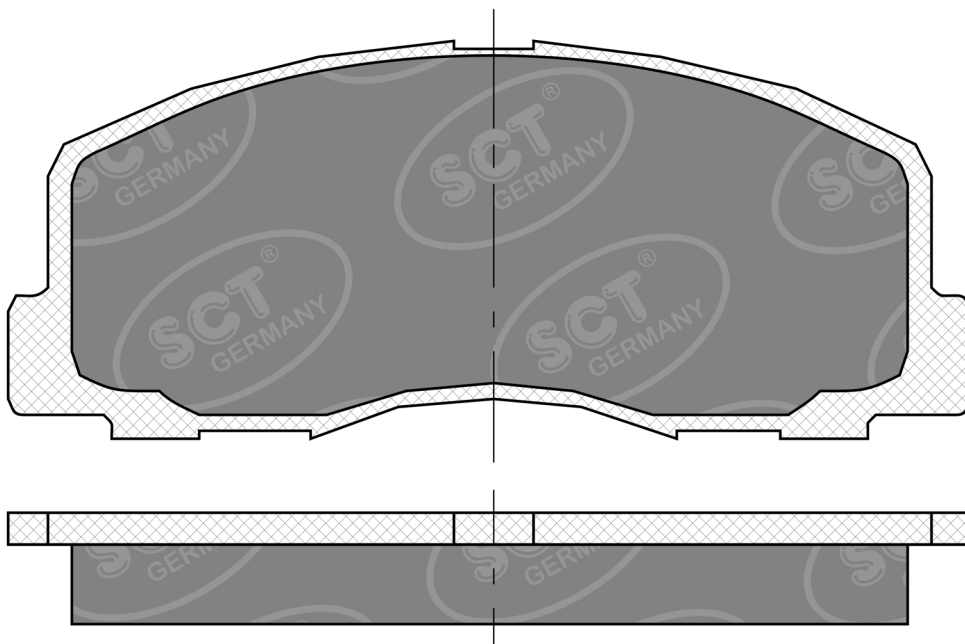
**Mitsubishi:** Colt, Cordia, Galant, Lancer, Space Wagon, Tredia

Cross Reference

**FERODO** FDB 368

**AP Lockheed** LP 458

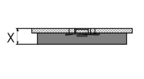
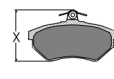
**LUCAS** GDB 355





SCT-Number  
**SP 118**

W.V.A.  
**20870**



119,6

47,4

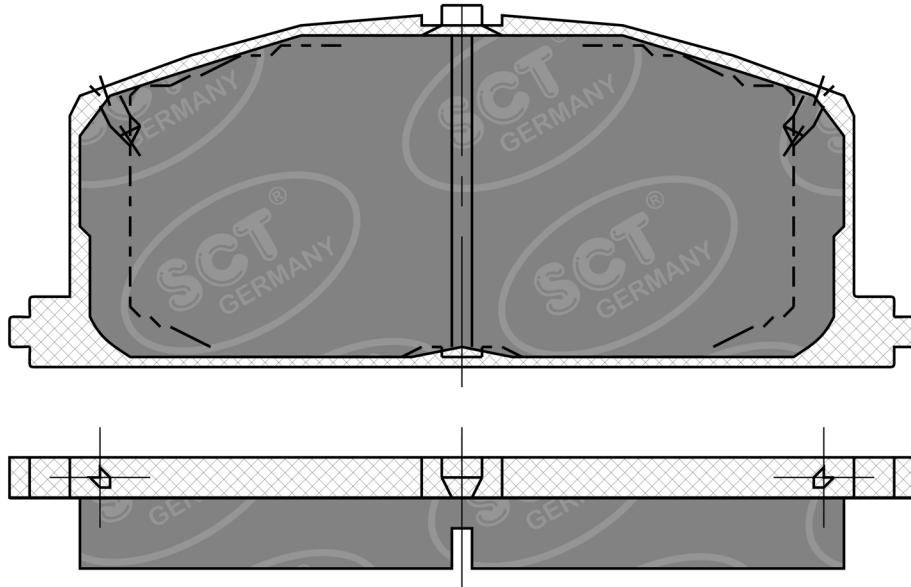
15

Main Application

**Toyota:** Camry, Carina II, Celica, Corolla V-VI, MR II, Paseo, Starlet, Tercel

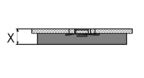
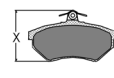
Cross Reference

**FERODO** FDB 308  
**AP Lockheed** LP 460  
**LUCAS** GDB 323



SCT-Number  
**SP 119**

W.V.A.  
**21099**



130,1

49,1

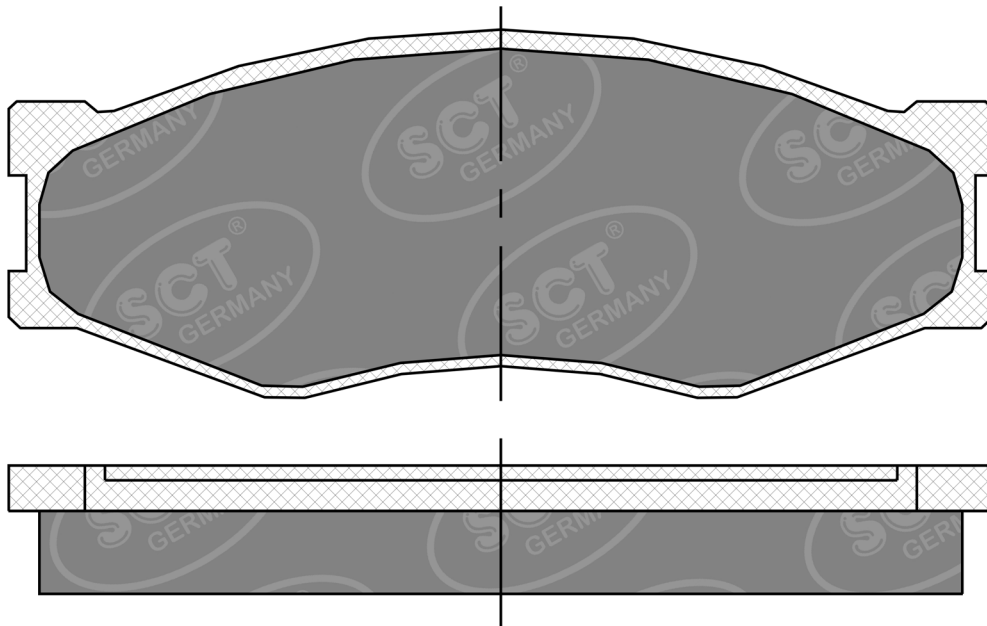
17

Main Application

**Nissan:** Bluebird, Laurel, Pick-up, Prairie Pro, Serena, Silvia, Vanette

Cross Reference

**FERODO** FDB 340  
**AP Lockheed** LP 707  
**LUCAS** GDB 318



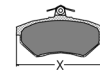


SCT-Number  
**SP 120**

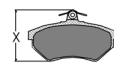
W.V.A.  
**20895**



X



107,3



44,8



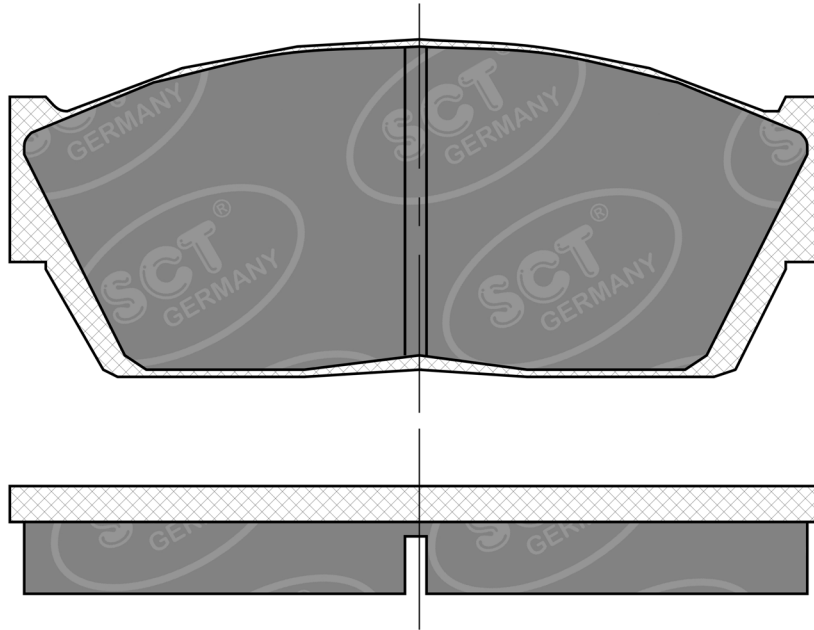
11,9

Main Application

**Honda:** Accord I, Ballade, Civic III, Civic CRX  
**Rover:** 200-Serie

Cross Reference

**FERODO** FDB 285  
**AP Lockheed** LP 355  
**LUCAS** GDB 284

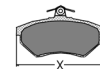


SCT-Number  
**SP 121**

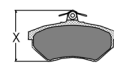
W.V.A.  
**20359**



X



105



74,8



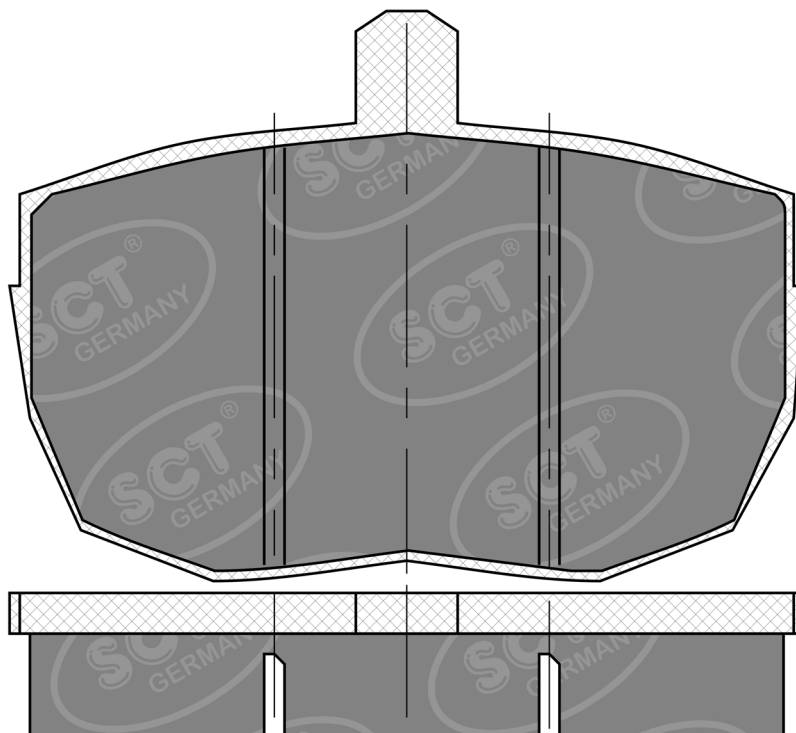
18

Main Application

**Alfa Romeo:** AR 8  
**Ford(Europa):** Tourneo, Transit '77, Transit '86  
**Land Rover:** 90/110-Series

Cross Reference

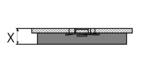
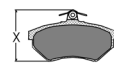
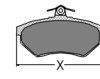
**FERODO** FDB 829  
**AP Lockheed** LP 41  
**LUCAS** GDB 341





SCT-Number  
**SP 122**

W.V.A.  
**21190**



156,7

52,2

17

Main Application

**Daewoo:** Espero, Nexia

**Opel:** Astra-F, Calibra, Kadett-E, Omega-A, Vectra-A, Vectra-B

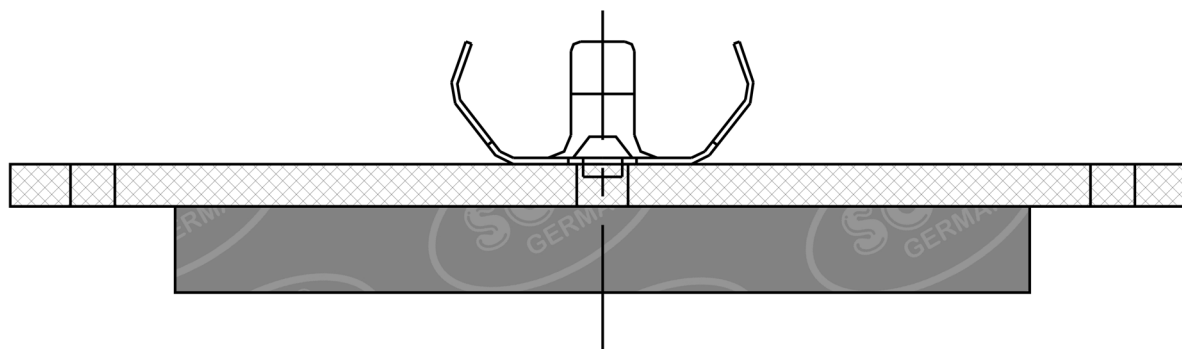
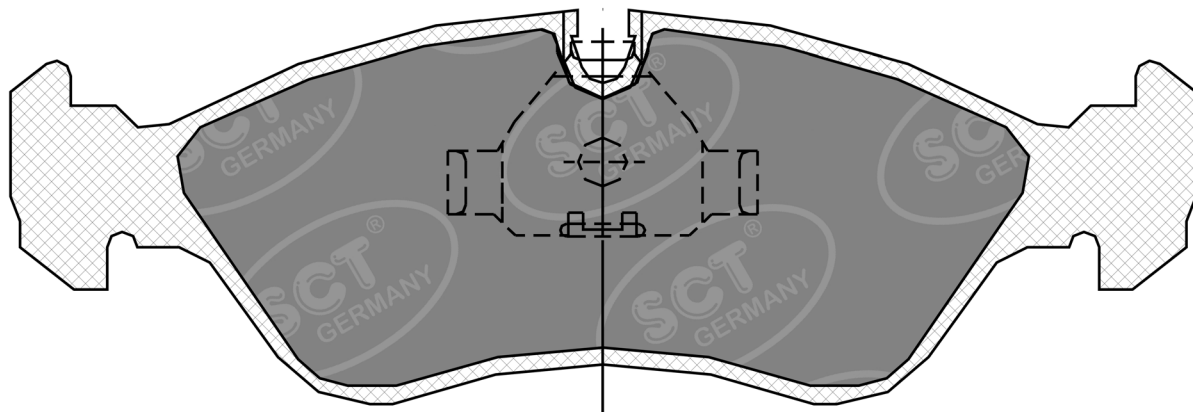
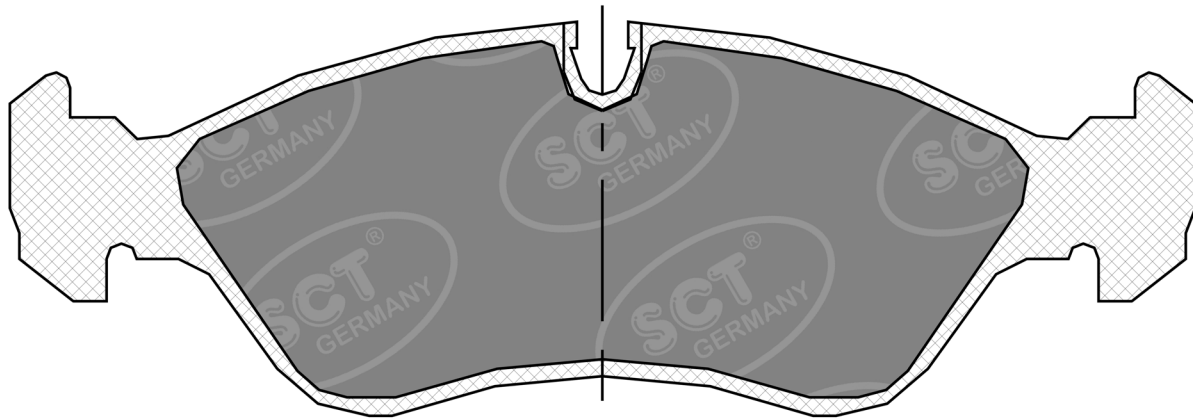
**Vauxhall:** Astra-E, Astra-F, Calibra, Carlton, Cavalier, Corsa Mk I

Cross Reference

**FERODO** FDB 584

**AP Lockheed** LP 585

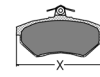
**LUCAS** GDB 951



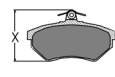


SCT-Number  
**SP 123**

W.V.A.  
**21372**



119,6



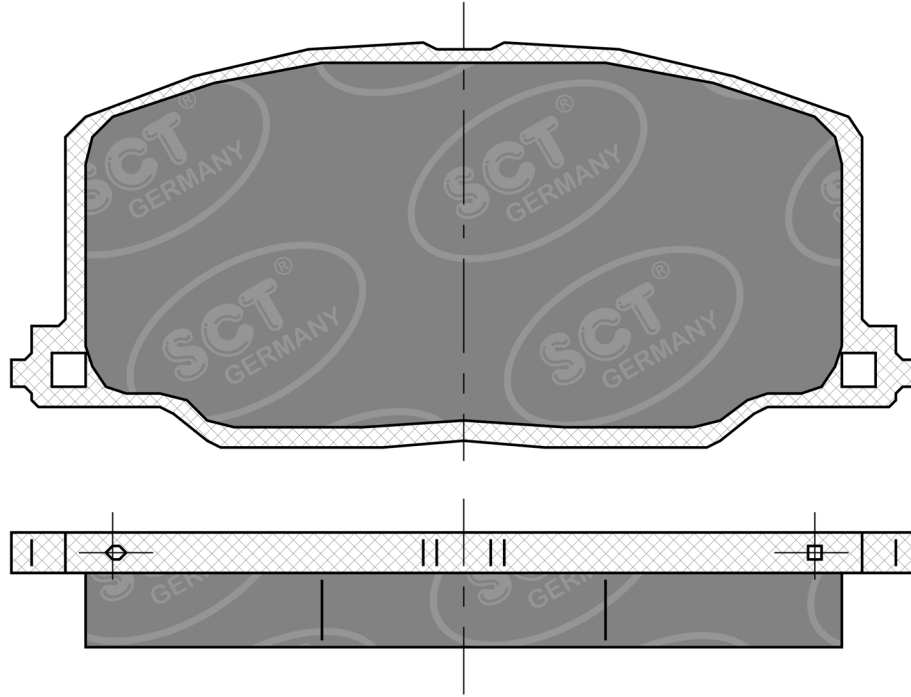
53,7



15,1

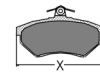
Main Application  
**Toyota:** Camry, Carina II, Celica

Cross Reference  
**FERODO** FDB 602  
**AP Lockheed** LP 613  
**LUCAS** GDB 798

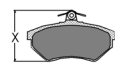


SCT-Number  
**SP 124**

W.V.A.  
**21055**



95



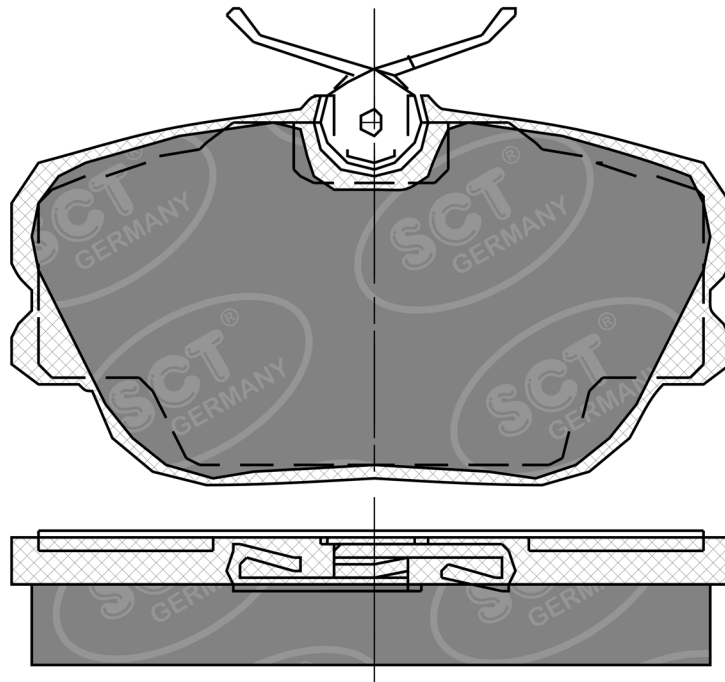
52,3



16,8

Main Application  
**Mercedes:** 190-Serie (W201)

Cross Reference  
**FERODO** FDB 669  
**AP Lockheed** LP 597  
**LUCAS** GDB 817

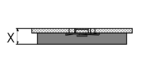
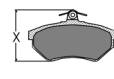






SCT-Number  
**SP 125**

W.V.A.  
**21754**



131,5

51,5

16,1/15

Main Application

**Ford:** Probe

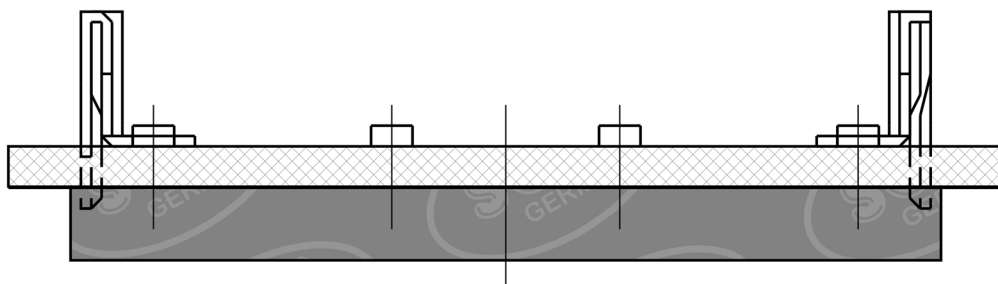
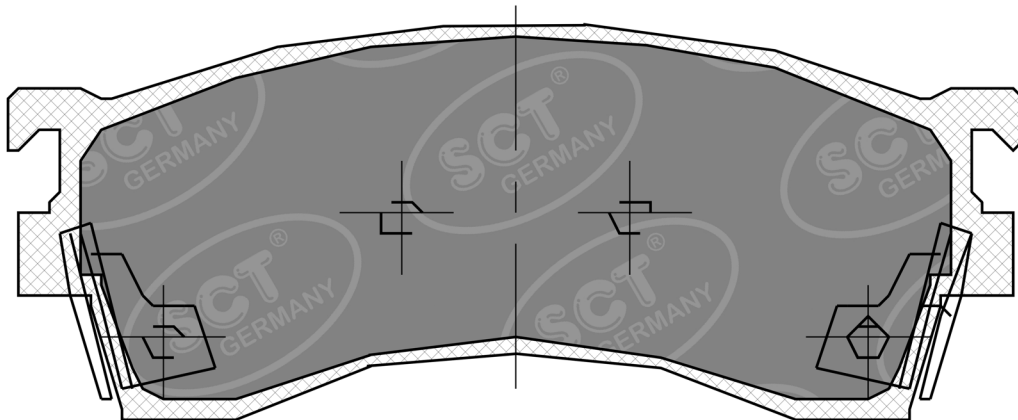
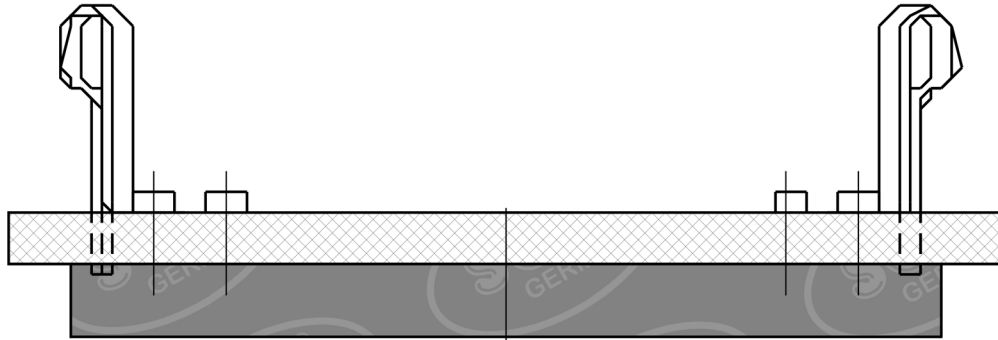
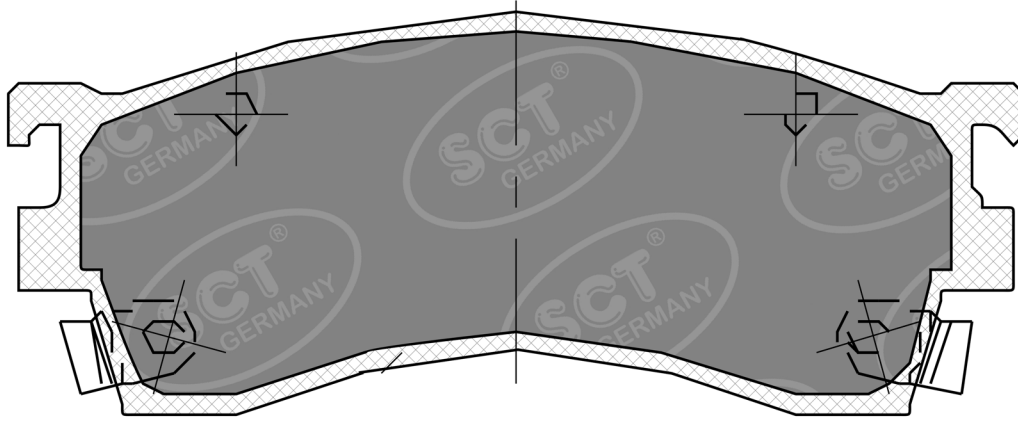
**Mazda:** 323 F/P/S VI (BJ), 626 IV (GE), 626 V (GF/GW), MX 6, Xedos 6

Cross Reference

**FERODO** FDB 950

**AP Lockheed** LP 801

**LUCAS** GDB 1139





SCT-Number  
**SP 126**

W.V.A.  
**20034**



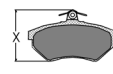
X



X\*



61,2



56,9



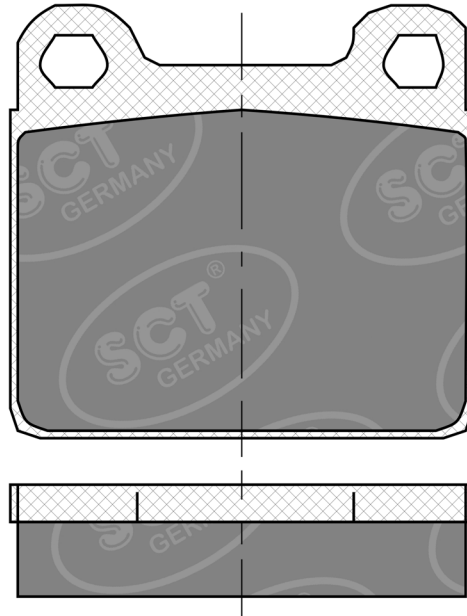
14,7

Main Application

**Alfa Romeo:** Alfetta, Giulietta, Guilia, Spider  
**Opel:** Ascona-A, Record-D, Monza-A\*, Senator-A\*  
**Vauxhall:** Cavalier, Chevette, Royale\*  
**BMW:** 1500-2000, 1502-2002  
**Talbot:** Simca 1100  
**Saab:** 99  
**Volvo:** 140\*, 164\*, 240\*, 260\*, 740\*, 760\*, 780 Bertone\*, 850\*, 940\*, C70\*, S70\*, V70\*  
**Mercedes:** 200-\*, 220-\*, 230-\*, 240-\*, 250-\*, 260-\*, 280-\*, 300-\*, 350-\*, 380-\*, 420-\*, 450-\*, 500-\*, 560-Series\*

Cross Reference

**FERODO** FDB 2  
**AP Lockheed** LP 18  
**LUCAS** GDB 101



SCT-Number  
**SP 127**

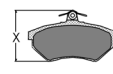
W.V.A.  
**20228**



X



61,8



56,5



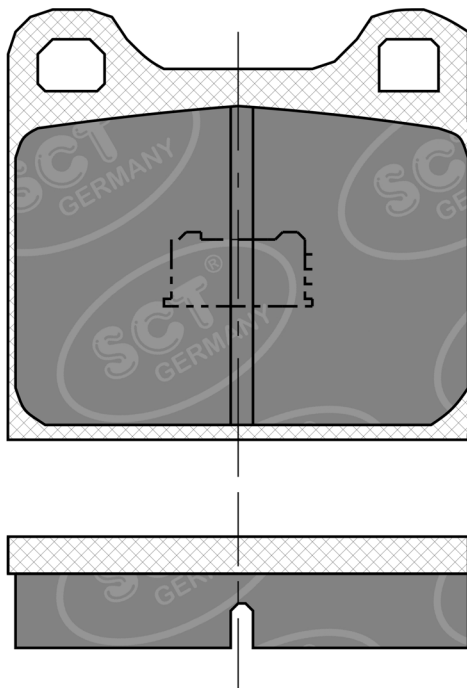
15

Main Application

**Audi:** 50, 80  
**Volkswagen:** Derby, Golf I, Jetta, Passat, Polo I (86), Polo I-II, Scirocco

Cross Reference

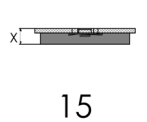
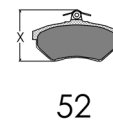
**FERODO** FDB 105  
**AP Lockheed** LP 76  
**LUCAS** GDB 648





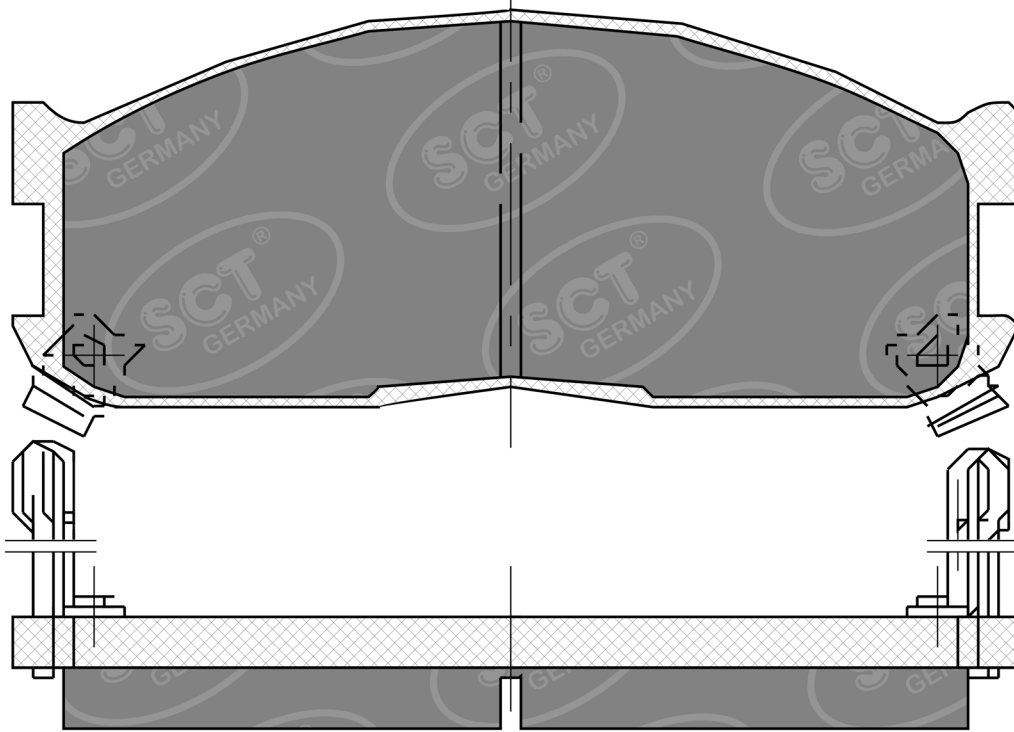
SCT-Number  
**SP 128**

W.V.A.  
**20002**



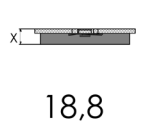
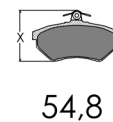
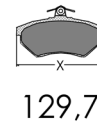
Main Application  
**Ford (Europa):** Econovan  
**Kia Motors:** Besta  
**Mazda:** E-Serie

Cross Reference  
**FERODO** FDB 757  
**AP Lockheed** LP 530  
**LUCAS** GDB 737



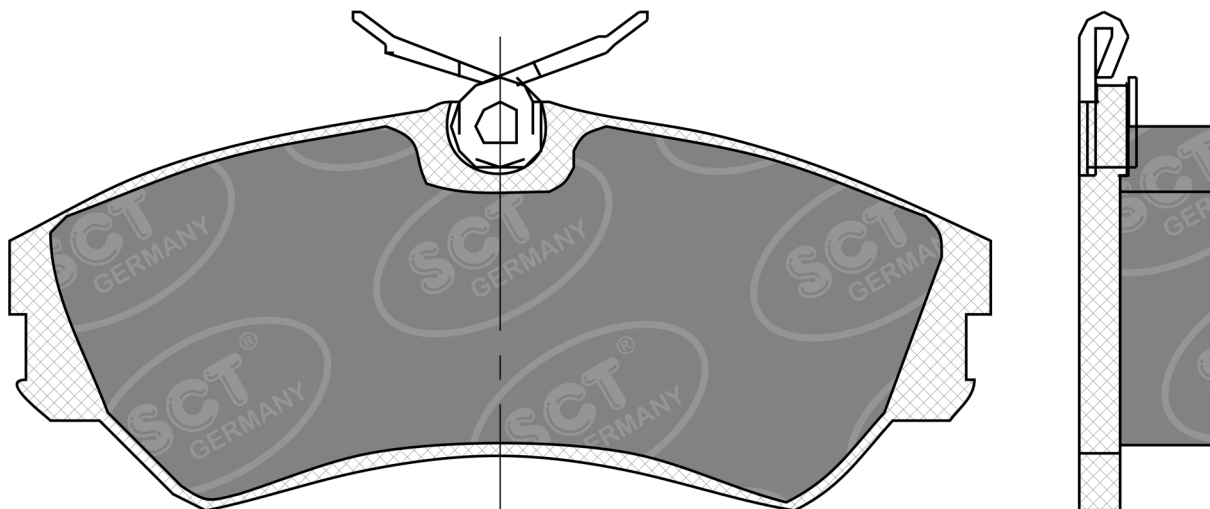
SCT-Number  
**SP 129**

W.V.A.  
**20124**



Main Application  
**Volkswagen:** Transporter/Bus (Typ 4)

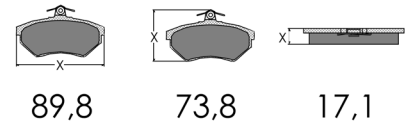
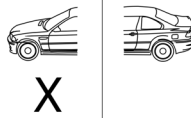
Cross Reference  
**FERODO** FDB 785  
**AP Lockheed** LP 668  
**LUCAS** GDB 862





SCT-Number  
**SP 130**

W.V.A.  
**20341**

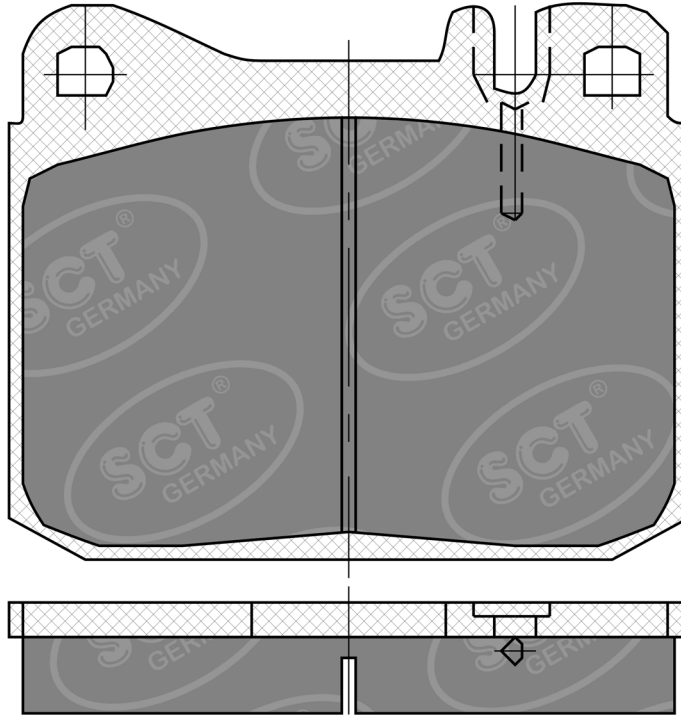


Main Application

**Mercedes:** 200-, 220-, 230-, 240-, 250-, 260-, 280-, 300-, 350-, 380-, 420-, 500-, 560-Series

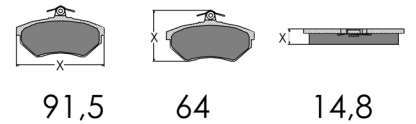
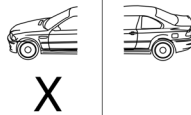
Cross Reference

**FERODO** FDB 243  
**AP Lockheed** LP 221  
**LUCAS** GDB 264



SCT-Number  
**SP 131**

W.V.A.  
**21654**

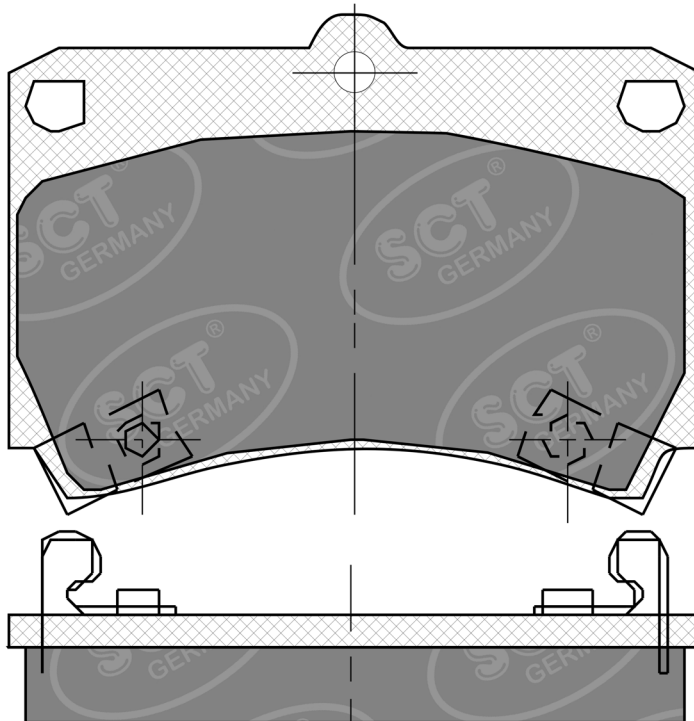


Main Application

**Mazda:** 121, 323 C/F/P/S (BA/BJ/BG), Demio

Cross Reference

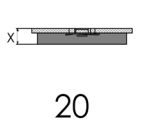
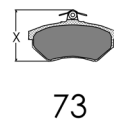
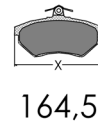
**FERODO** FDB 715  
**AP Lockheed** LP 743  
**LUCAS** GDB 1024





SCT-Number  
**SP 132**

W.V.A.  
**29076**

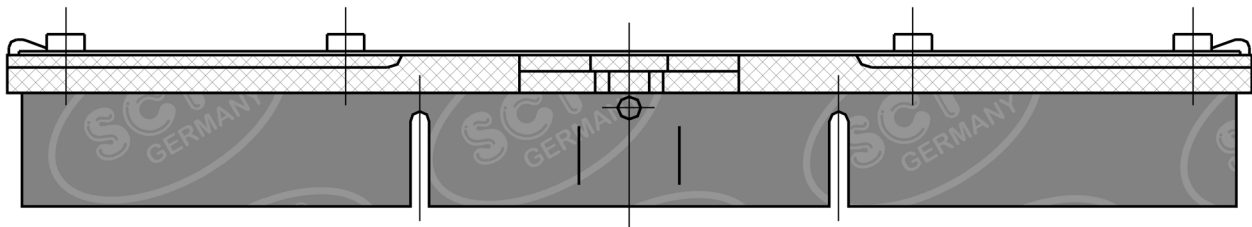
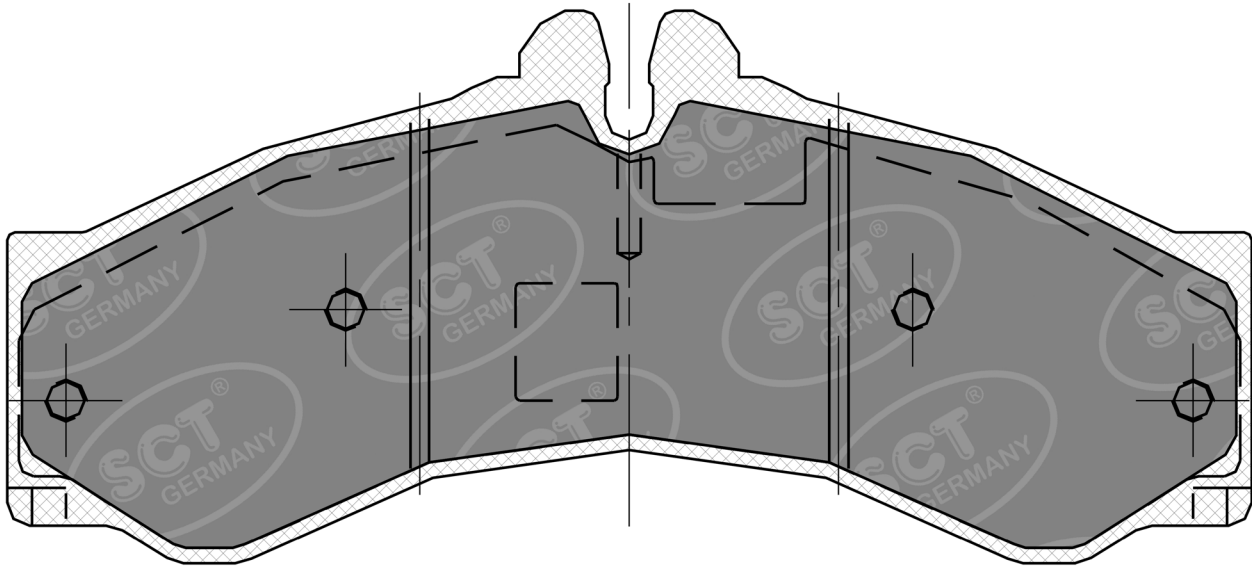


Main Application

**Mercedes:** Sprinter 208-216 (901/902), Sprinter 308-316 (903),  
Sprinter 408-416 (904), Sprinter 408-416 (904)\*  
**Volkswagen:** LT 28, LT 28\*, LT 35, LT 35\*, LT 46, LT 46\*

Cross Reference

**FERODO** FDB 1043  
**AP Lockheed** LP 1046  
**LUCAS** GDB 1288





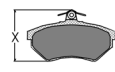


SCT-Number  
**SP 133**

W.V.A.  
**21647**



127,5



51,7



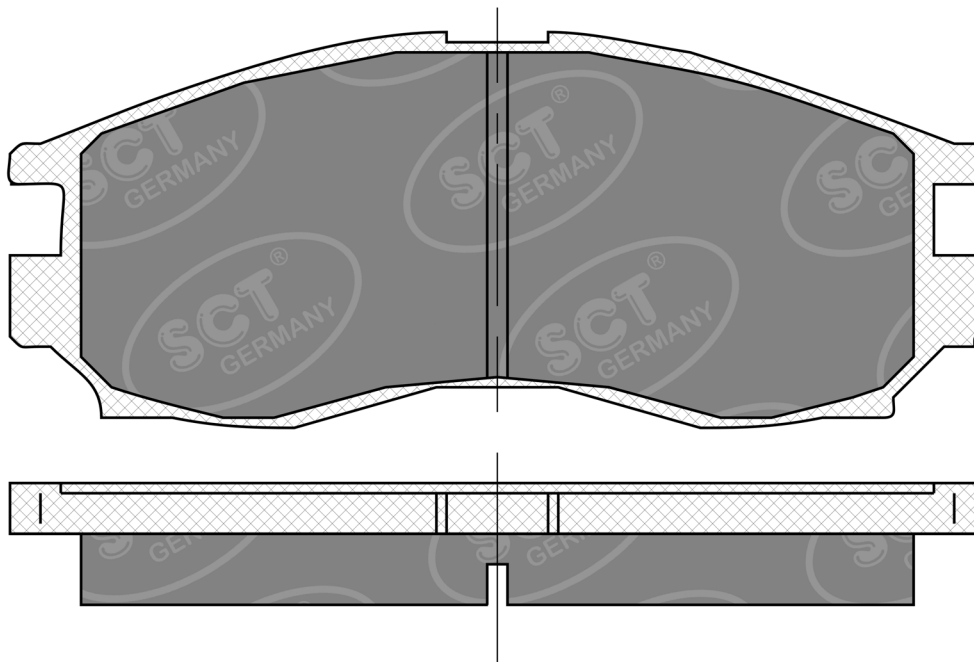
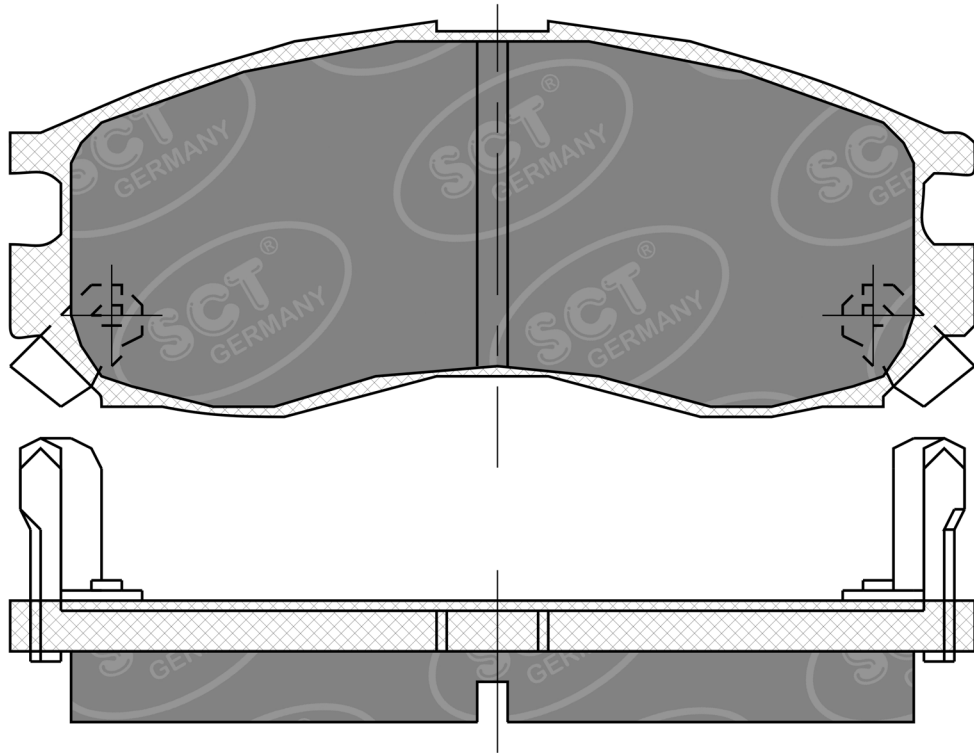
15,7

Main Application

**Mitsubishi:** Colt, Eclipse, Galant, Lancer, Space Runner, Space Wagon  
**Proton:** Persona 300, Persona 400

Cross Reference

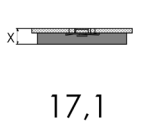
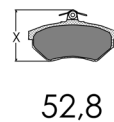
**FERODO** FDB 764  
**AP Lockheed** LP 803  
**LUCAS** GDB 1128





SCT-Number  
**SP 134**

W.V.A.  
**21601**



133,2

52,8

17,1

Main Application

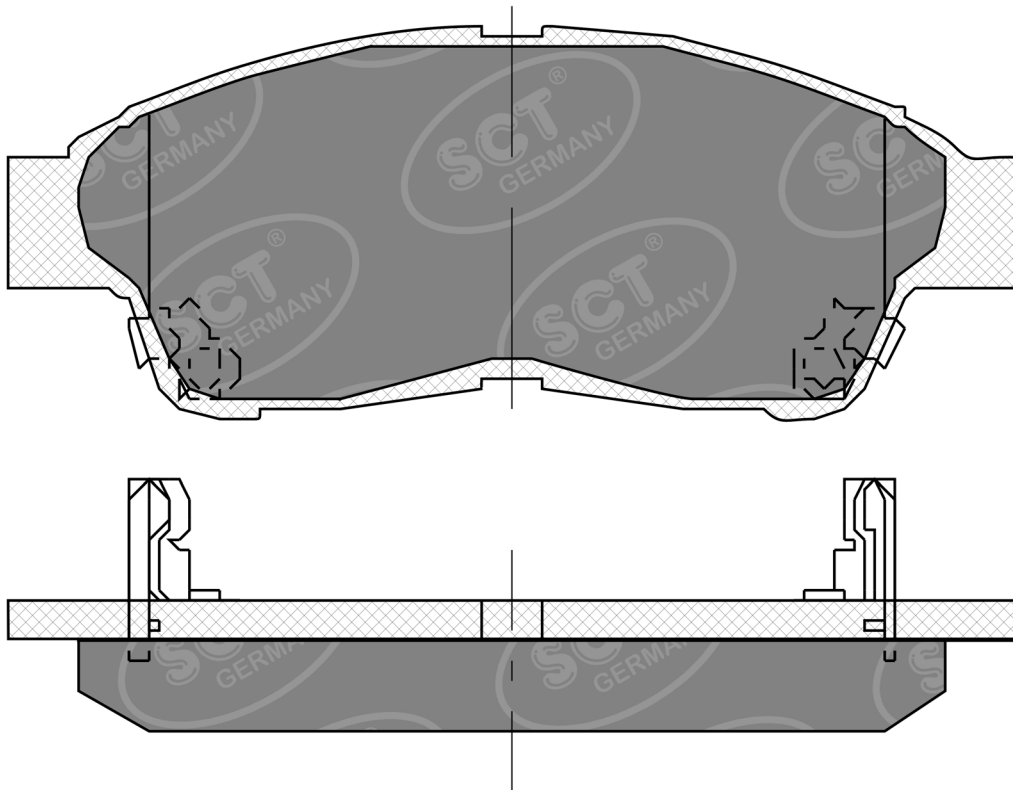
**Toyota:** Camry, Carina E, Celica, Corolla VII, Fun Cruiser, Picnic, RAV 4

Cross Reference

**FERODO** FDB 867

**AP Lockheed** LP 789

**LUCAS** GDB 1143



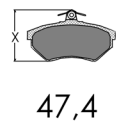


SCT-Number  
**SP 135**

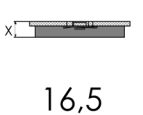
W.V.A.  
**21657**



108,6



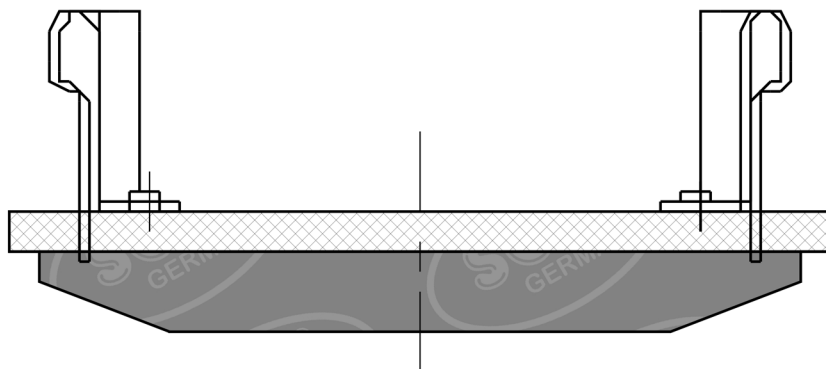
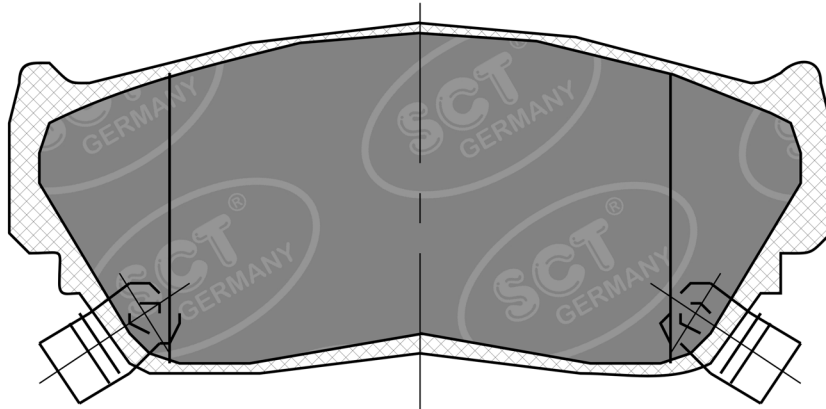
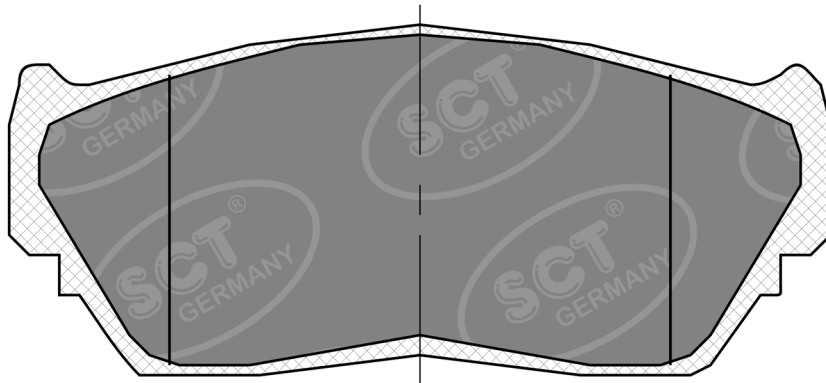
47,4



16,5

Main Application  
**Nissan:** 100 NX, Sunny

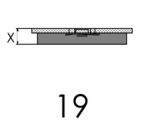
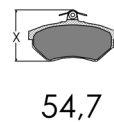
Cross Reference  
**FERODO** FDB 763  
**AP Lockheed** LP 804  
**LUCAS** GDB 1012





SCT-Number  
**SP 136**

W.V.A.  
**23130**



Main Application

**Audi:** A3

**Seat:** Toledo II     **Skoda:** Fabia, Octavia

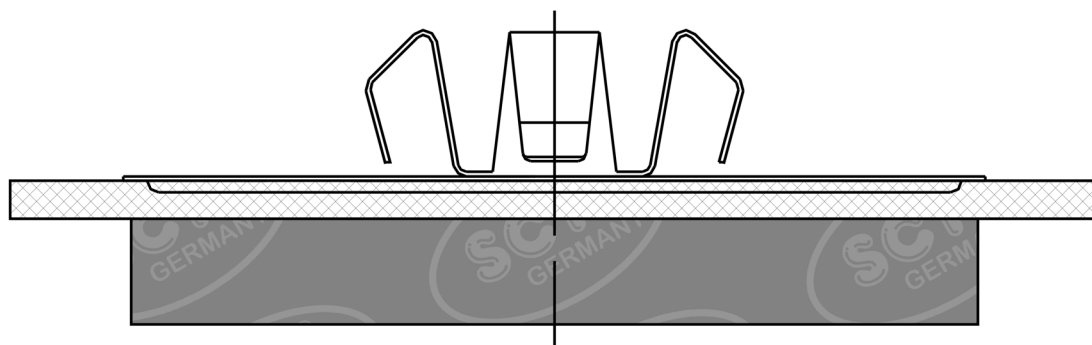
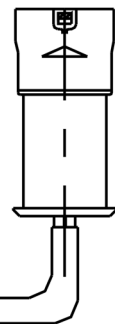
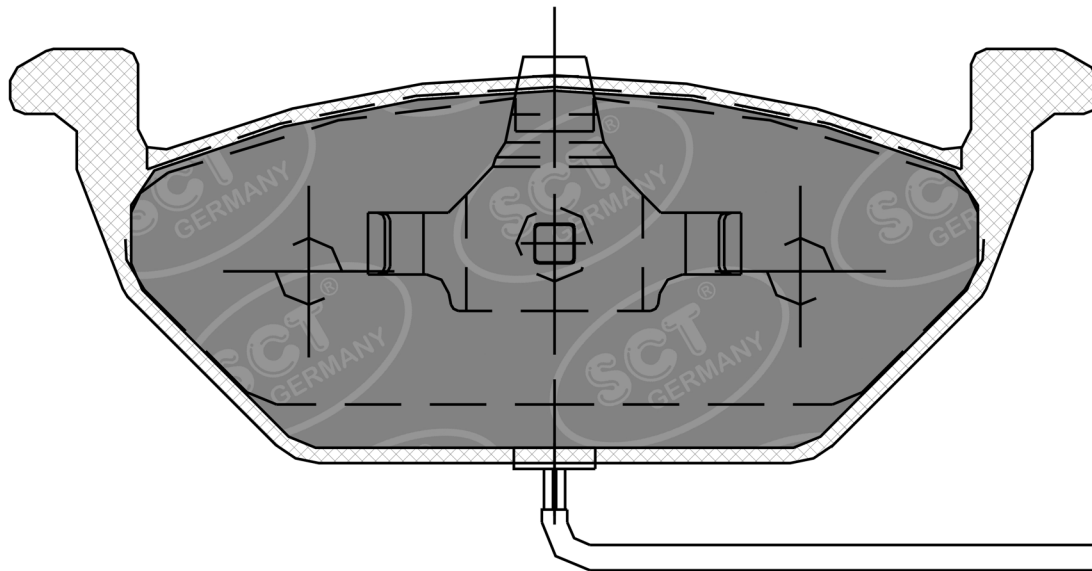
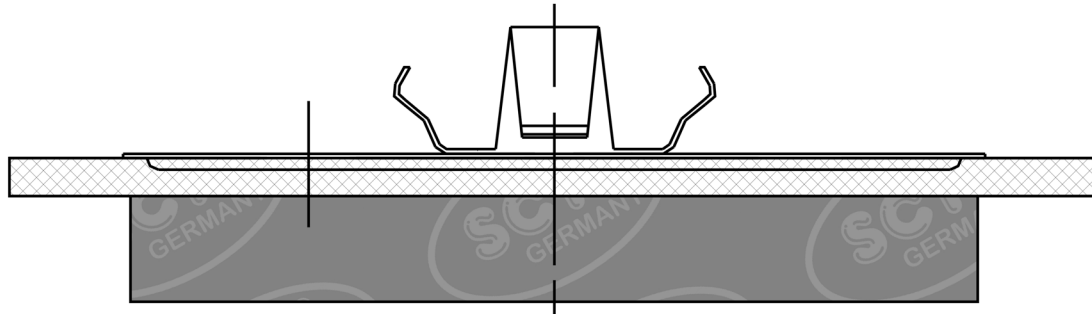
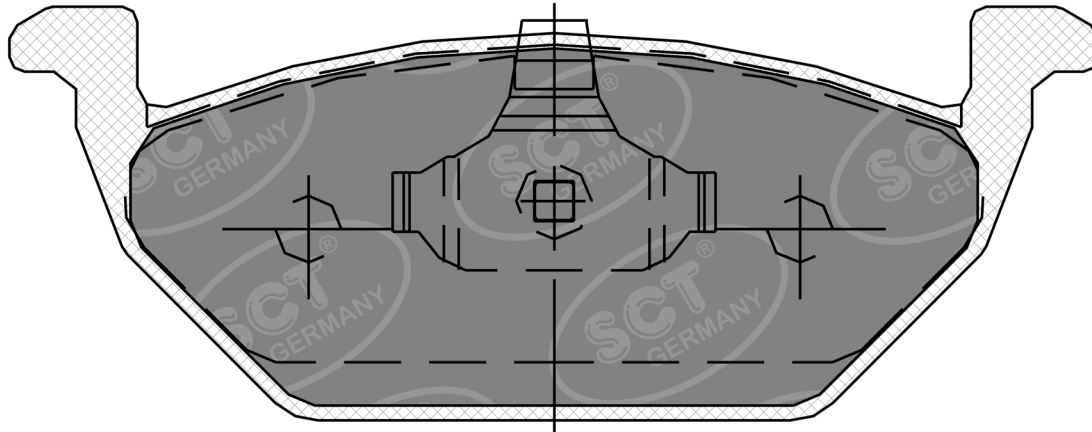
**Volkswagen:** Bora, Golf IV, New Beetle

Cross Reference

**FERODO** FDB 1094

**AP Lockheed** LP 1091

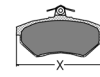
**LUCAS** GDB 1357



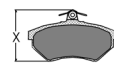


SCT-Number  
**SP 137**

W.V.A.  
**21945**



118,8



69,5



18,6

Main Application

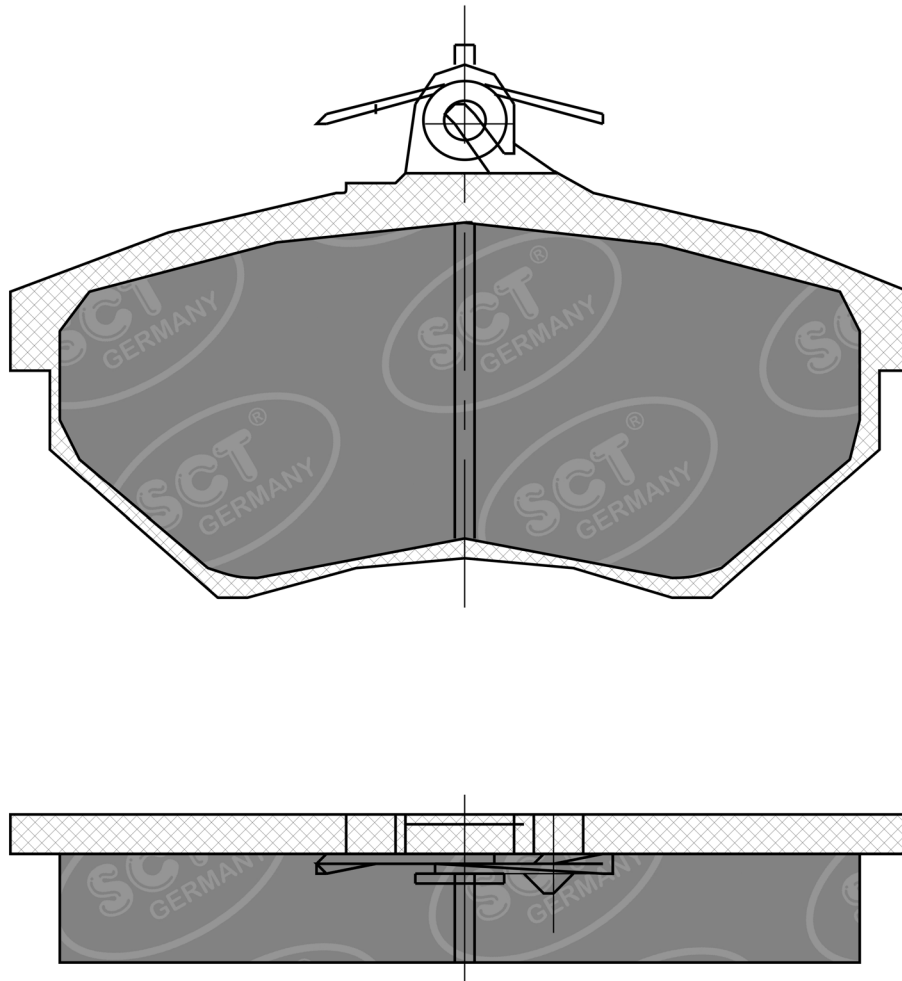
**Seat:** Cordoba I-II, Ibiza II-III, Inca

**Volkswagen:** Caddy II, Golf III, Lupo, Polo III, Vento

Cross Reference

**FERODO** FDB 1312

**AP Lockheed** LP 1409

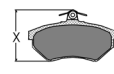






SCT-Number  
**SP 138**

W.V.A.  
**21677**



156,3

63,7

19,3

Main Application

**Audi:** 90, 100, 100 Quattro, 200, 200 Quattro, Coupe, Coupe Quattro

**BMW:** Serie 5 (E39)

**Citroen:** XM

**Peugeot:** 605

Cross Reference

**FERODO** FDB 1073

**AP Lockheed** LP 602

**LUCAS** GDB 1264

